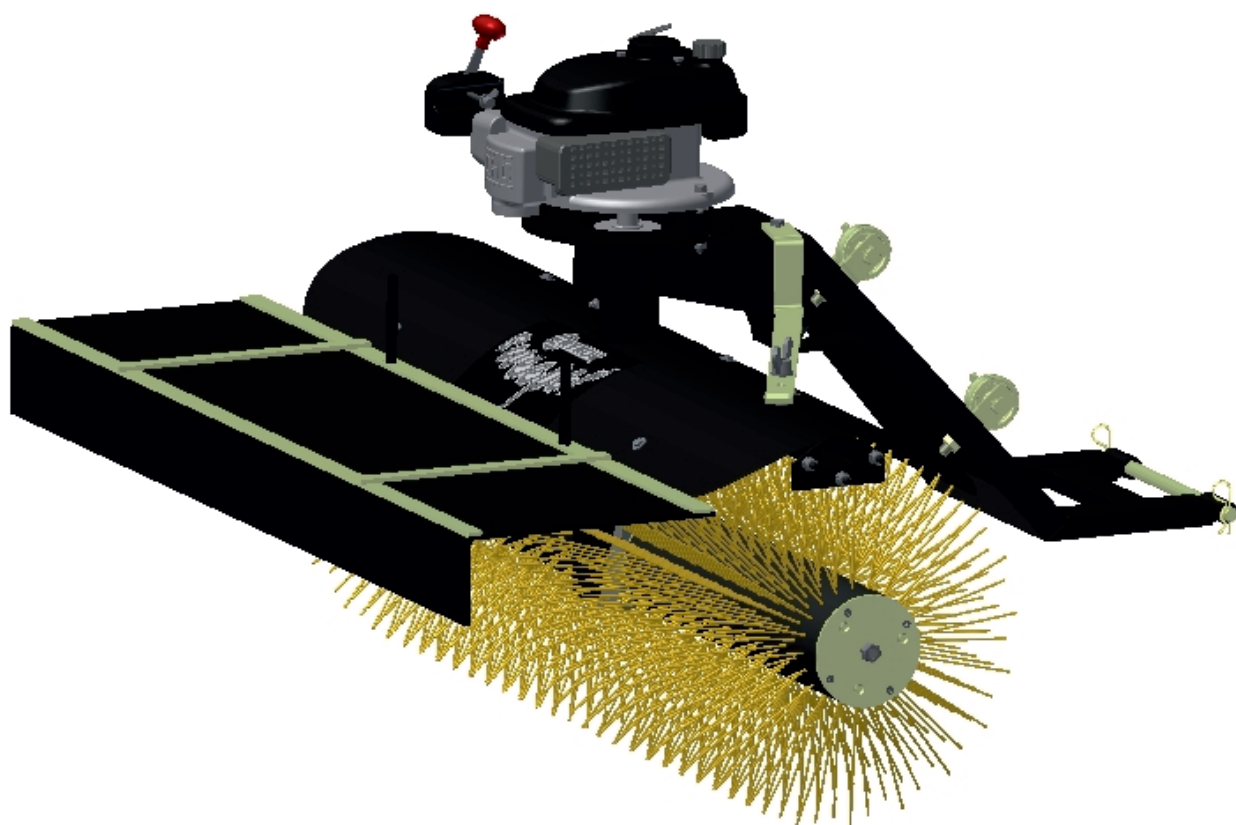


SWEEPER - QUAD, ATV



Operating instruction Parts list

ASP Group Distributing
Mamesti 13
267 53 Zebrak
Czech Republic
Tel.: 311 577 222 Fax: 311 577 224
www.aspgroup.eu
www.aspshop.eu



This is an instructions and maintenance manual for sweeping brush ATV, which can only be connected to machines QUAD, ATV. Please read carefully the entire manual, you will find here useful information and acquire general understanding of this machine.

Before starting the machine please take the time to read and understand the instruction manual for the drive unit and also this manual. Pay special attention to all instructions related to the safety of work and operating instructions, as well as to instructions for repairs and settings. Before starting to work with the machine familiarize yourself with the controls, the overall functionality and check the condition of safety components on the drive unit.

USE OF THE PRODUCT

Sweeping brush ATV in combination with machine QUAD, ATV is designed for sweeping roads, sidewalks, factory halls etc. It can also be used for snow removal in winter.

TECHNICAL PARAMETERS

	Sweeping brush	Collection bin
Length	800 mm	400 mm
Width	1200 mm	1100 mm
Height	850 mm	400 mm
Reach	1100 mm	
Weight	56 kg	12 kg

RESPONSIBILITY

The machine must not be operated by a person younger than 18 years of age or by a person physically or mentally unqualified. The machine can only be operated by a person properly advised and familiar with its operation. Transport of persons is forbidden. The user is always responsible for all damage. The machine has a number of safety features, which must not be manipulated with. The machine is designed to be operated by one person. Before starting the machine inspect its condition. If safety-related defects are found the machine must not be started. It is forbidden to use the machine if shields are dismantled or damaged.

RESIDUAL RISKS ON THE MECHANICAL PART OF THE MACHINE

Access to potentially dangerous parts of the machine - it is necessary to understand all safety rules related to the dangerous parts of the machine and respect these rules.

Access of persons to the workplace - unauthorized persons must be prevented from entering the workplace by operating rules created by the user.

Access to moving parts of the machine from different sides - places labeled as dangerous must be permanently under the sight by the operating person.

Other risks and hazards - all employees must be provably trained (protocol) and familiarized with the operation of the machine. All employees must use the prescribed means of personal protection.

SAFETY RULES IN OPERATION

Know the controls and function of abrupt stop. Read, understand and follow all instructions from the manual, as well as instructions located on the machine before starting. Never leave the machine without an operator. High caution while loading and unloading the machine from a truck or trailer. The sweeping brush together with the tractor must be transported to the workplace and back on a trailer, semi-trailer or a truck. Because the machine exceeds maximum permissible values of vibration for a workplace valid for an eight-hour workday it is not possible to use the machine for a long time. Exposition time must not exceed 240 minutes per eight-hour workday or it must be interrupted with breaks so that the entire time does not exceed 240 minutes. This requirement must be respected also in the corresponding work procedure. The operating person is fully responsible for the safety of all persons within the working reach of the machine. The machine can be used on slopes with maximum inclination 10 degrees and only in the direction of the fall line (up and down), riding in the direction of contour lines is not permissible. When turning and crossing it is necessary to proceed with increased caution, because the sweeping cylinders of the brush are still rotating. Follow the instructions from this manual, but also general instructions for safety of work, protection of health, fire safety and protection of the environment. If labeling on the machine is damaged it must be fixed immediately. Attaching and detaching must be carried out on a flat surface. While attaching the brush to the engine unit be especially careful: mechanically secure the parts of the machine, which could accidentally move. Other safety instructions and operating instructions for the tractor can be found in another instruction manual supplied with the tractor.

OPERATING INSTRUCTIONS

CONNECTION TO THE TRACTOR

We mount the clamping frame of the machine to the tractor, in a stable manner, using a bolt and nuts. We attach the brush to the clamping frame using a joint and secure it with a spring safety pin.

STARTING THE MACHINE

Before starting the motor, familiarize yourself properly with its manual for operation, which is attached.

We started the brush in the transporting position. Set the throttle lever to the start position. Start the motor with a quick pull of the starter cord and let it wind up back freely. After the starting of the motor, the brush starts to turn through the centrifugal clutch. Set the minimum revolutions of the motor with the throttle lever and verify if the brush stops turning. After that, again set the revolutions to a maximum and use the control lever to lower the brush to the operating instruction.

STOPING THE ENGINE

Set the minimum revolutions of the engine and pull the throttle lever towards you to the STOP position. This will short circuit the motor's ignition and the motor will stop.

COLLECTING BIN

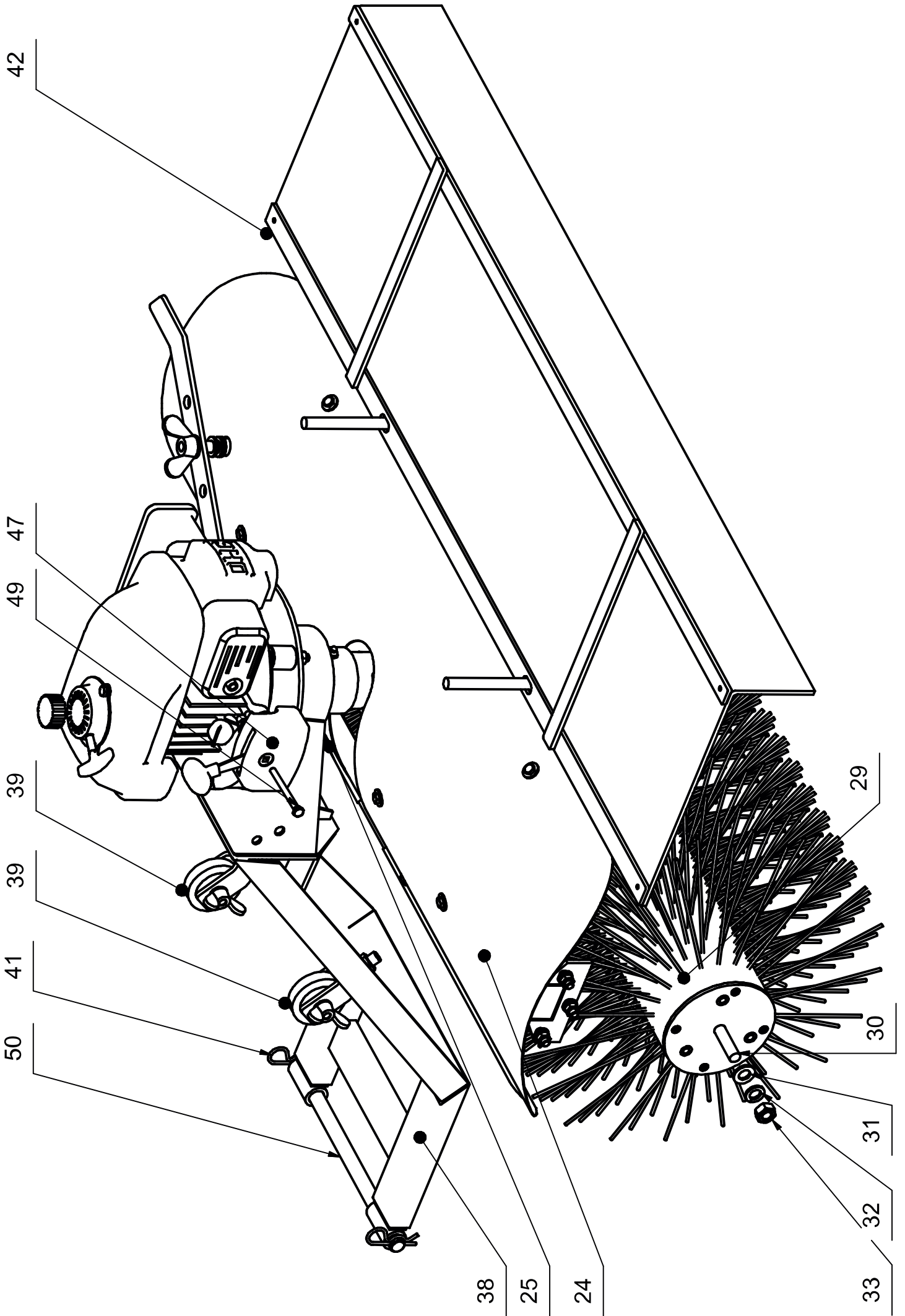
A collecting bin fixed in front of the sweeping brush is used for gathering the swept material. It is mounted in front of the sweeping brush into guide poles. Before emptying the collecting bin the engine must be switched off. Empty the bin by pulling the handle upwards. Do not reverse with the collecting bin in a working position and do not lift together with the brush!!!

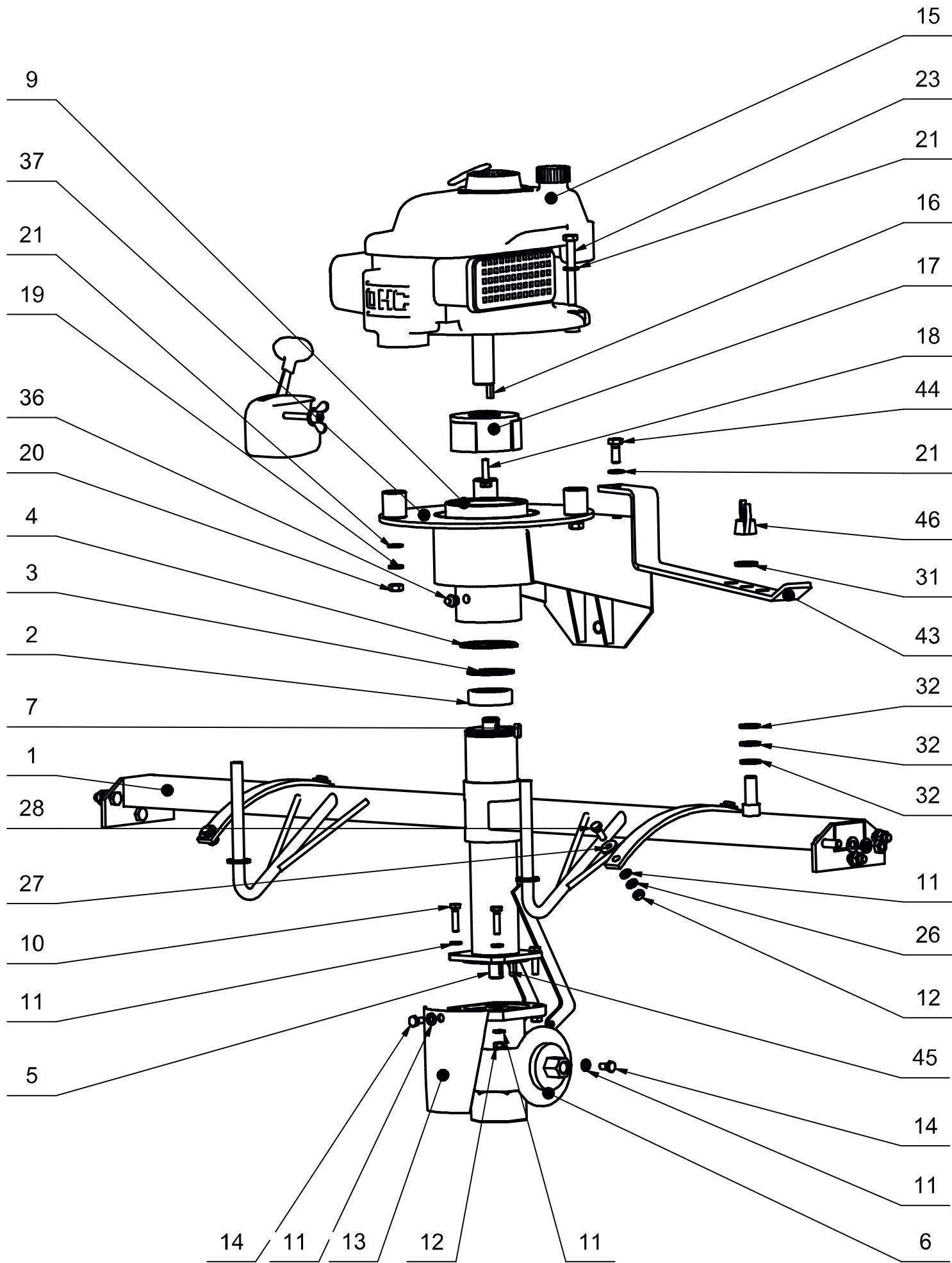
ROTATING THE BRUSH

The sweeping brush can be rotated by moving the rotating lever into one of the three available positions. When sweeping towards the left or right, we do not recommend using the collecting bin. The brush can be rotated by moving the lever down, and then by pulling or pushing the front frame of the sweeping brush.

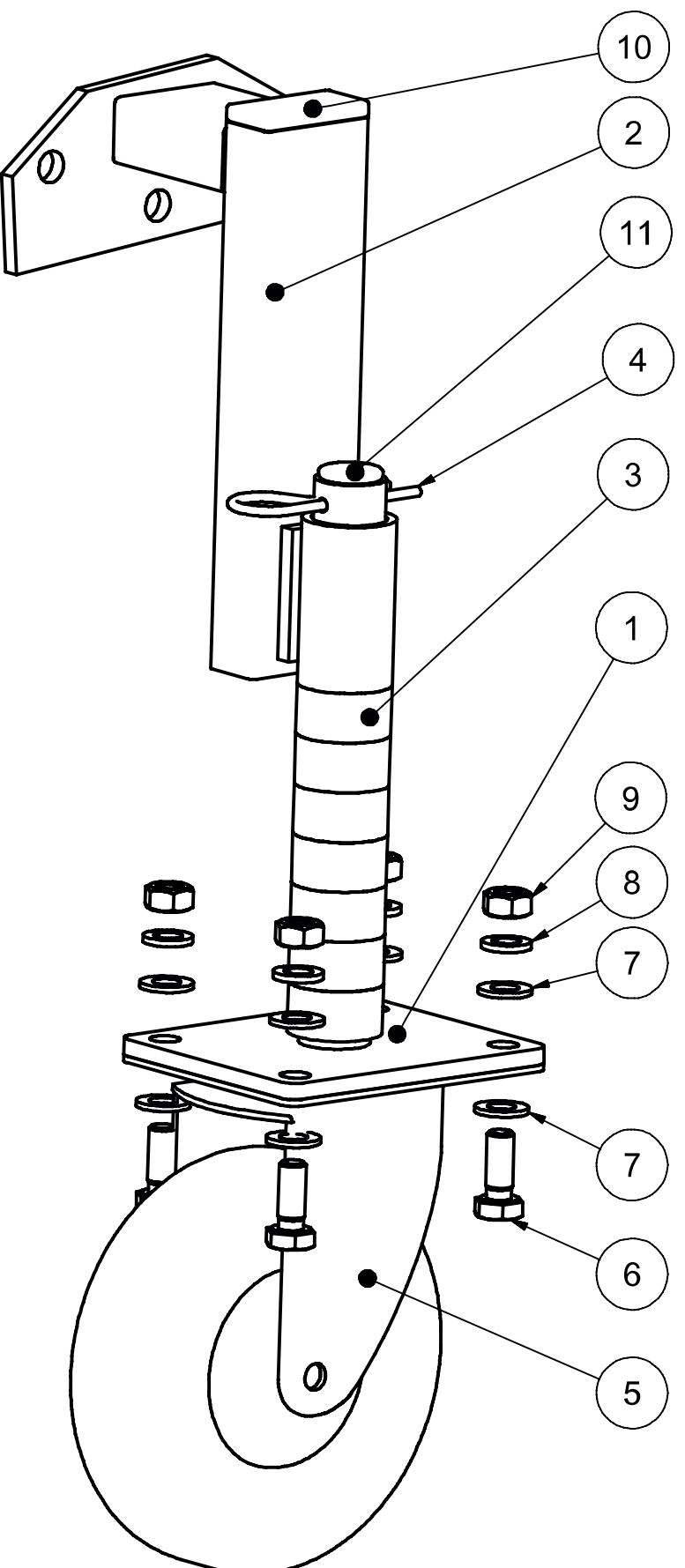
CLEANIING

After each working session remove the dirt from the brushes and using water stream clean the inside of the collecting bin. Stabilize the machine on a supporting stang before hanging out the brushes to avoid their deformation. Whenever work was carried out in dusty environment clean the engine's air filter. Change the filter only if the old one cannot be cleaned. Operation and maintenance of the engine are described in the manual for the engine unit.

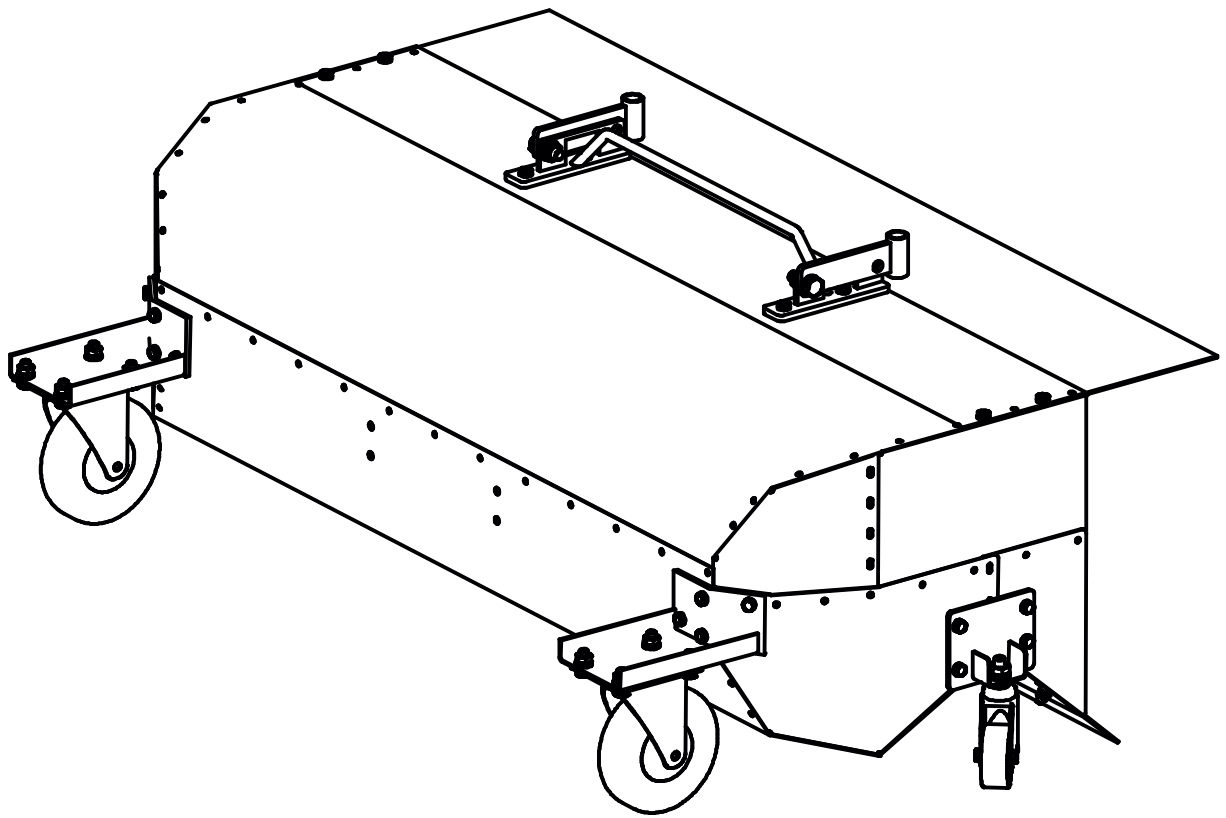




	PCS	Part Number	
1	1	2203-000	
2	1	DIN 625 SKF - SKF 6204-2Z	
3	1	DIN 472 - 47 x 1,75	
4	1	DIN 471 - 55x2	
5	1	513 - MK 110	
6	1	81105 - 12,5	
7	1	DIN 6885 - A 5 x 5 x 14	
8	1	DIN 471 - 17x1	
9	1	83201	
10	4	DIN 933 - M6 x 25	
11	19	DIN 125 - A 6,4	
12	12	DIN 934 - M6	
13	1	2014-000	
14	3	DIN 933 - M6 x 12	
15	1	83106 - MOTOR HONDA GCV 160	
16	1	83204	
17	1	83202	
18	1	83203	
19	9	DIN 127 - A 8	
20	10	DIN 934 - M8	
21	13	DIN 125 - A 8,4	
22	1	DIN 931-1 - M8 x 65	
23	2	DIN 931-1 - M8 x 70	
24	1	2205-000 SWEEPER	
25	1	2206-000 SWEEPER	
26	8	DIN 127 - A 6	
27	9	DIN 9021 - 6,4	
28	8	DIN 933 - M6 x 16	
29	2	101-000 125x400x460	
30	1	2003-000 1045	
31	2	DIN 125 - A 13	
32	4	DIN 127 - A 12	
33	1	DIN 934 - M12	
34	1	M16	
35	1	DIN 9021 - 17	
36	1	DIN 71412	
37	1	2301-000	
38	1	2311-000	
39	2	2316-000	
41	2	78102	
42	1	2038-000	
43	1	2310-000	
44	1	DIN 933 - M8 x 20	
45	1	DIN 6885 - A 5 x 5 x 18	
46	1	DIN 315 - M12	
47	1	ENGINE FUEL CONTROL	
48	1	DIN 315 - M6	
49	1	DIN 933 - M6 x 70	
50	1	2012-000	



	PCS	Part Number	
1	1	118-001	
2	1	118-002	
3	7	118-011	
4	1	78102	
5	1	75125	
6	4	DIN 933 - M8 x 20	
7	8	DIN 125 - A 8,4	
8	4	DIN 127 - A 8	
9	4	ISO 4032 - M8	
10	1	77041	
11	1	77100	



	PCS		
1	1	2033-000	
2	1	2034-000	
4	1	2034-003	
5	1	2037-000	
7	6	DIN 125 - A 10,5	
8	4	DIN 933 - M10 x 30	
10	66	DIN 125 - A 6,4	
11	8	DIN 127 - A 10	
13	2	EXTRA WHEELS	
18	16	DIN 127 - A 6	
19	33	DIN 934 - M6	
20	24	DIN 933 - M6 x 20	
21	2	DIN 934 - M10	
22	1	2033-016	
23	1	2036-000	
24	1	2033-017	
25	9	DIN 933	
26	2	2032-000	
27	2	M10	
28	1	2035-000	
29	1	2035-005	
30	2	75125	
31	8	DIN 933 - M8 x 20	
32	16	DIN 125 - A 8,4	
33	8	DIN 128 - A8	
34	8	ISO 4032 - M8	

