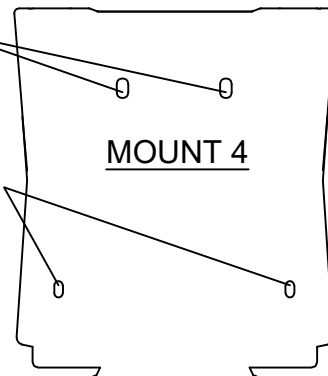


Instructions for installing skid plates on a vehicle: Segway AT10 WL SGW1000F-A7

We screw it on using the original winch slide screws



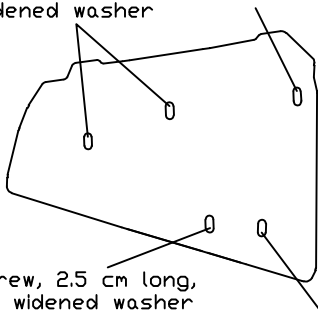
MOUNT 4

We remove all original plastic from the quad. We also recommend rethreading all original threads that we will use to mount the covers. This will make screwing the covers on easier and reduce the risk of damaging the threads.

Ø6 screw, 2 cm long, with a widened washer

11/8 inch clamp, Ø8 screw, 2 cm long, and washer

Ø6 screw, 2 cm long, with a widened washer



Ø6 screw, 2.5 cm long, with a widened washer

We screw it with a Ø6 bolt, 3 cm long, with a widened washer on the cover side and a widened washer with a nut on the swingarm side.

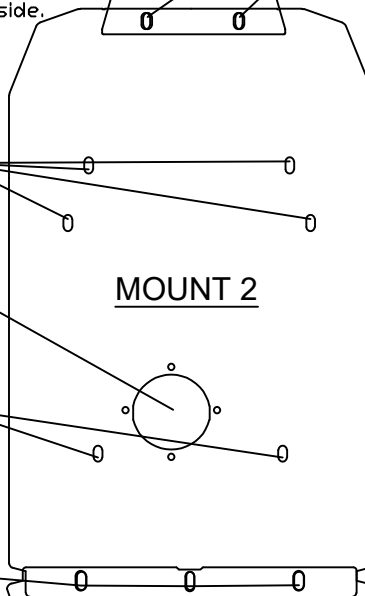
Ø6 screw, 2 cm long, with a widened washer

MOUNT 3

We put the covers on with an overlap and screw them with Ø6 screws, 2.5 cm long, with a widened washer.

At this point, we insert the 38mm spacer from the kit between the riser and the cover. First, we screw in the 6cm long Ø6 bolt along with the washer widened on the underside (chassis side). Then, we tighten the nut and smaller washer on the riser side.

Ø6 screw, 2 cm long, with a widened washer



MOUNT 2

When screwing on the oil cap, place 4 M6 slip-on nuts in the places around the hole, then screw on the cap with Ø6 screws, 1.6 cm long, with a small washer.

In these places, we insert a 10mm long spacer sleeve from the set between the frame and the cover and screw the cover with a Ø6 screw, 2.5cm long, with a widened washer.

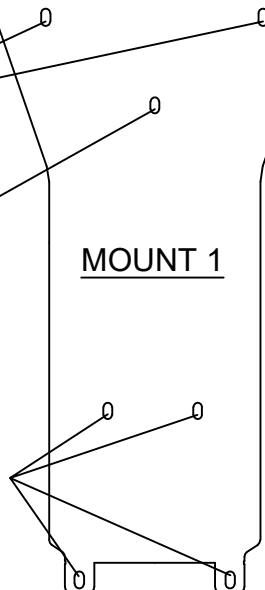
Install the rear cover first. Slide an M6 slide nut onto its center hole, then place the center cover on top and secure both with a Ø6, 2.5cm bolt. Then, secure the cover with a 5cm bolt and a widened washer into the side holes.

In these places, we insert a 10mm long spacer sleeve from the set between the frame and the cover and screw the cover with a Ø6 screw, 2.5cm long, with a widened washer.

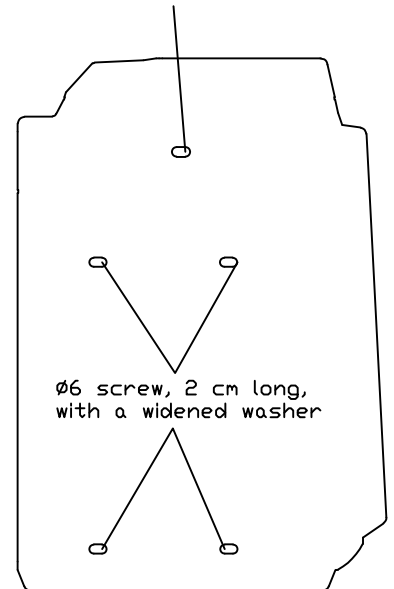
At this point, we insert a 14mm long spacer from the set between the frame and the cover and screw the cover with a Ø6 screw, 3cm long, with a widened washer.

MOUNT 1

Ø6 screw, 2 cm long, with a widened washer

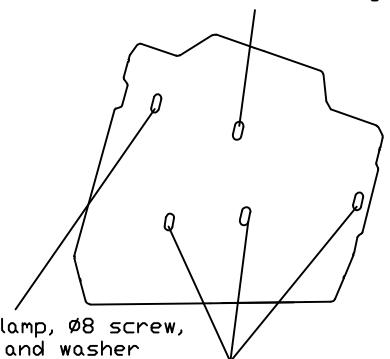


We screw it with a Ø6 bolt, 5 cm long, with a widened washer on the cover side and a widened washer and nut on the swingarm side.



Ø6 screw, 2 cm long, with a widened washer

11/4 inch clamp, Ø8 screw, 2 cm long, and washer



Ø6 screw, 2 cm long, with a widened washer

Each cover element comes with the appropriate screws and clamps. Please do not mix them. The number of brackets and screws depends on the number of holes shown in the drawing. Tighten all screws and nuts only after the covers are fully installed and aligned to the frame.