



Operator's Manual

SHARK WOOD 1500



Official distributor:

ASP Group s.r.o.

Staroplzenecká 290

326 00 Letkov u Plzně

Tel.: +420 378 21 21 21

E-mail: info@aspgroup.cz

www.aspgroup.eu

We appreciate your purchase of our Trailers. Please follow these few simple instructions. Instructions should be kept in a safe place and reviewed at least annually.

We offers a one year limited warranty to be free from defects in materials and workmanship for the service life of the product, not to exceed twelve consecutive months from the date of purchase.

The Jack, fence, tool box and linear are optional items. If you do not purchase the corresponding product, please ignore their installation steps.

ASSEMBLY INSTRUCTIONS

Tools needed – An adjustable wrench

IMPORTANT ASSEMBLY TIP: Do not tighten any nut and bolt combinations completely until all parts are assembled together! Finger tighten plus one turn of a wrench only! This will temporarily hold the lock nut on the bolt while helping alignment of all parts! After all parts are assembled together, all nut & bolt combinations must be completely tightened.

Part 1(A01E base):

1. Install the axle, using 2-M8*30 bolt, 2-M8 nut, 2- \varnothing 8 washer, 2- \varnothing 8 spring washer, 2- \varnothing 5*50 dowel pin.
2. Install the tire, using 16-M12 wheel hub nut.
3. Install the front support, using 2-M12*50 bolt, 2-M12 nut.
4. Install the front guard, using 2-M16*50 bolt, 2-M16 nut.
5. (a)Install the draw bar, using 2-M10*90 bolt, 2-M10 nut, 2- \varnothing 10 washer, 2- \varnothing 10 spring washer, 2- \varnothing 16 bolt sleeve.
(b)Install the coupler, using 2-M10*70 bolt, 2-M10 nut, 2- \varnothing 10 washer, 2- \varnothing 10 spring washer.
6. Install the tow bar, using 4-M12*50 bolt, 4-M12 nut.
7. Install the rear support, using 2-M12*50 bolt, 2-M12 nut.

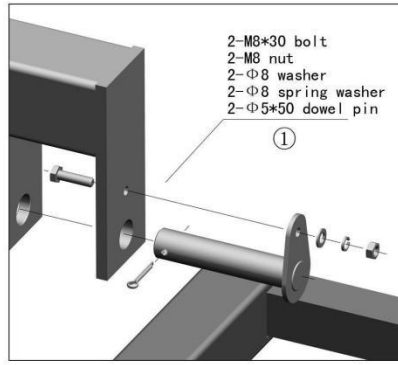
Part 2(A01E crane):

1. Using 3-M12*35 bolt, 3-M12 nut.
2. Using M14*140 bolt, M14 nut, \varnothing 55*43 nylon wheel. Using 3-M8*95 bolt, 3-M8 nut, 3- \varnothing 13/9*78 round steel pipe.
3. Using M20 nut, \varnothing 20 washer, \varnothing 16 spring.
4. Using 3-M12*35 bolt, 3-M12 nut.
5. Using 16*65 pin roll, "R" dowel pin, M16*110 bolt, M16 nut.
6. Using M12*50 bolt, M12 nut, 2- \varnothing 10 washer.
7. Using 16*50 pin roll, "R" dowel pin.
8. Using 16*40 pin roll, "R" dowel pin, \varnothing 100 nylon wheel. Using "R" dowel pin.

ASSEMBLY DRAWING

- 2-M10*90 bolt
- 2-M10 nut
- 2-Φ10 washer
- 2-Φ10 spring washer
- 2-Φ16 bolt sleeve

⑤



Please pay attention to the installation direction of the tyres and the tyre brackets.

- 2-M10*70 bolt
- 2-M10 nut
- 2-Φ10 washer
- 2-Φ10 spring washer

⑤

- 2-M16*50 bolt
- 2-M16 nut

④

- 2-M12*50 bolt
- 2-M12 nut

③

- 4-M12*50 bolt
- 4-M12 nut

⑥

- 16-M12 wheel hub nut

②

- 2-M12*50 bolt
- 2-M12 nut

⑦

ASSEMBLY DRAWING

- 16*40 pin roll
- "R" dowel pin
- Φ100 nylon wheel

⑧

- "R" dowel pin

⑧

- M20 nut
- Φ20 washer
- Φ16 spring

③

- 16*50 pin roll
- "R" dowel pin

⑦

- M12*50 bolt
- M12 nut
- 2-Φ10 washer

⑥

- M10*55 bolt
- M10 nut

④

- M14*140 bolt
- M14 nut
- Φ55*43 nylon wheel

②

- 3-M8*95 bolt
- 3-M8 nut
- 3-Φ13/9*78 round steel pipe

②

- 16*65 pin roll
- "R" dowel pin
- M16*110 bolt
- M16 nut


⑤

- 3-M12*35 bolt
- 3-M12 nut


①


Attention:

For the linear actuator

 This item is designed for certain application only. The distributor cannot be responsible for issues arising from modification. We strongly recommend this item not be modified and /or use for any application other than that for which it was designed.

General safety rules

 **WARNING:** Read and understand all instruction. Failure to follow all instructions listed below may result in serious injury.

 **WARNING:** The warnings, cautions, and instructions discussed in this instruction manual cannot cover all possible conditions or situations that could occur. It must be understood by the operator that common sense and caution are factors which can't be built into this product, but must be supplied by the operator.

WARNING

READ, UNDERSTAND AND FOLLOW ALL ASSEMBLY, INSPECTION, MAINTENANCE & USE INSTRUCTIONS PROVIDED BEFORE EACH USE. FAILURE TO FOLLOW ALL WARNINGS AND INSTRUCTIONS COULD RESULT IN SERIOUS INJURY OR DEATH.

DOUBLE CHECK THE ASSEMBLY OF YOUR TRAILER TO BE SURE YOU ASSEMBLED IT CORRECTLY AND ALL NUT & BOLT ASSEMBLIES ARE TIGHT BEFORE INITIAL USE. BE SURE TO PERIODICALLY CHECK ALL NUT AND BOLTS FOR TIGHTNESS. OVER TIME, NUTS AND BOLTS MAY BECOME LOOSE FROM VIBRATION.

BE SURE TO ALWAYS HAVE THE CORRECT AMOUNT OF AIR PRESSURE IN TIRES. THIS WILL HELP DETER FROM UNNECESSARY WEAR AND/OR DAMAGE. AIR PRESSURE CAN BE FOUND ON SIDEWALL OF TIRE. NEVER DRIVE ON HILLY TERRAIN - EXCESSIVE WEIGHT CAN CAUSE WEIGHT SHIFTS WHICH CAN LEAD TO LOSS OF CONTROL OF YOUR ATV AND/OR ATV TRAILER.

DO NOT DRIVE IN EXCESS OF 10 MPH WHILE USING THIS PRODUCT. NEVER ALLOW PEOPLE OR ANIMALS TO RIDE IN THE ATV TRAILER! IT IS NOT DESIGNED FOR THAT MATTER. USE CAUTION NEAR TRAILER TILT LATCH. BE SURE LATCH IS ENGAGED BEFORE EACH USE.

Never...

- Use excessive speeds while towing trailer.
- Exceed the maximum load capacity of 1400KGS.
- Allow people or animals to ride in trailer.
- Use on hilly terrain.
- Use a damaged product.
- Use when intoxicated or using over-the-counter medication or prescription drugs.
- Use on rocky or obstacle ridden terrain.
- Use carelessly -- Think Safety!

A01E ATV trailer Part List

NO.	DESCRIPTION	QTY
1	M10*70 bolt	2
2	M10 nut	5
3	∅10 washer	6
4	∅10 spring washer	4
5	M16*50 bolt	2
6	M16 nut	3
7	M10*90 bolt	2
8	∅16 bolt sleeve	2
9	M12*50 bolt	9
10	M12 nut	12
11	M8*30 bolt	2
12	M8 nut	5
13	∅8 washer	2
14	∅8 spring washer	2
15	∅5*50 dowel pin	2
16	M12 wheel hub nut	16

NO.	DESCRIPTION	QTY
17	M10*55 bolt	1
18	M14*140 bolt	1
19	M14 nut	1
20	∅55*43 nylon wheel	1
21	M12*35 bolt	3
22	M20 nut	1
23	∅20 washer	1
24	∅16 spring	1
25	16*65 pin roll	1
26	"R" dowel pin	4
27	M16*110 bolt	1
28	M8*95 bolt	3
29	∅13/9*78 round steel pipe	3
30	16*40 pin roll	1
31	16*50 pin roll	1
32	∅100*43 nylon wheel	1

Official distributor



© Copyright ASP Group s.r.o. 2019

ASP Group s.r.o.
Staroplzenecka 290
326 00 Letkov
Czech Republic

tel.: +420 378 21 21 21

info@aspgroup.cz

www.aspgroup.eu