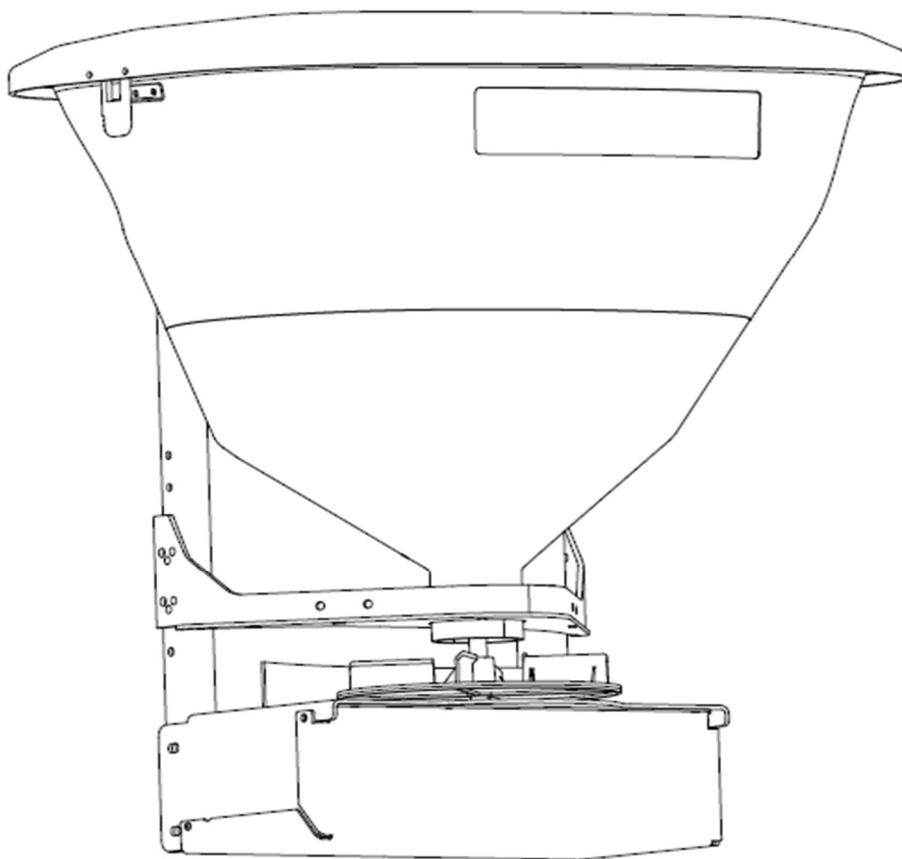




## SHARK LH240 -1

Spreader on remote control

### Operating and Installation Instructions



**▲ NOTICE**

Read this manual before installing and operating the spreader.

# Table of Contents

<b>SAFETY INFORMATION</b> .....	<b>1</b>
SAFETY .....	1
WARNING/SAFETY LABELS.....	1
SAFETY MEASURES .....	2
PERSONAL SAFETY.....	2
<b>FILLING OF THE SPREADER</b> .....	<b>3</b>
EXPERT ASSEMBLY .....	3
APPROXIMATE MATERIAL WEIGHTS .....	3
<b>INSTALLATION OF THE SPREADER</b> .....	<b>4</b>
INSTALLATION PROCEDURE .....	4
MOUNTING ON THE TOWING BRACKET.....	6
<b>SPREADER OPERATOR</b> .....	<b>7</b>
RIDING AND GRITTING ON SNOW AND ICE .....	7
<b>CONNECTION OF THE SPREADER POWER SUPPLY</b> .....	8
<b>STARTING AND STOPPING THE ENGINE</b> .....	8
TIPS FOR WORKING WITH THE SPREADER.....	9
DISMANTLING THE SPREADER.....	9
PROGRAMMING AND PAIRING OF THE REMOTE CONTROL .....	10
PAIRING THE REMOTE CONTROL WITH THE WIRELESS RECEIVING MODULE.....	10
<b>MAINTENANCE</b> .....	<b>11</b>
MAZAN .....	11
AFTER EACH USE .....	11

# SAFETY INFORMATION

## SAFETY INFORMATION

### SAFETY

**⚠ WARNING**

Indicates a potential hazard that could lead to serious injury or death.

**⚠ NOTICE**

Indicates a potential hazard that may result in minor personal injury or damage to the spreader.

#### COMMENT:

The word "NOTE" in this manual will alert you to key information or instructions.

#### WARNING/SAFETY LABELS

Read and understand the warning and warning labels on the spreader.

#### COMMENT:

If the labels are missing or illegible, contact your dealer for new ones.

**⚠ WARNINIG**

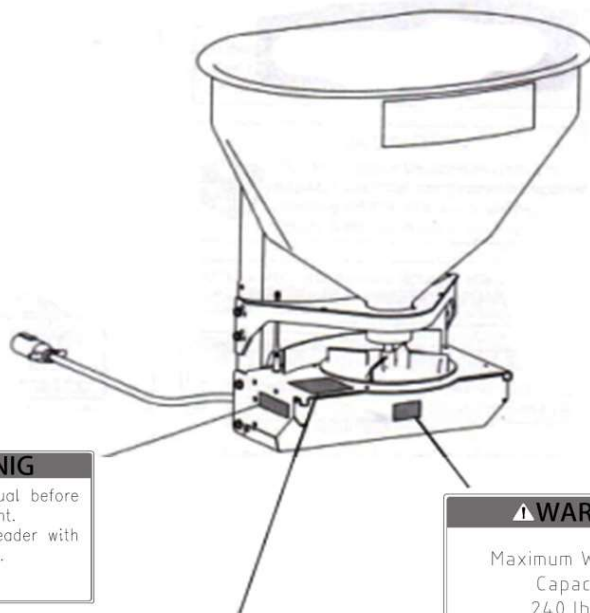
- Read owners manual before operating equipment.
- Never remove spreader with material in hopper.

**⚠ WARNING**

- Keep hands, feet & loose clothing away from moving parts.
- Disconnect power before servicing equipment.

**⚠ WARNING**

Maximum Weight Capacity  
240 lbs.



## SAFETY INFORMATION

### SECURITY MEASURES

Improper installation and operation can lead to personal injury and damage to equipment and property.

Read and understand the warning labels and operating instructions before installing and operating the spreader.

#### **WARNING**

- The driver must ensure that bystanders are at least 8 m away from the spreader.
- Ensure loose clothing and hair before working with the spreader.
- Before starting work with the spreader, check that all safety covers are in place.
- Wait until the spreader wheel has stopped before servicing the spreader.
- Do not get in or ride the spreader.

#### **WARNING**

Overloading can cause an accident or injury. Do not exceed the values on the towing bracket label or check the maximum load of the towing bracket in the technical certificate.

#### **NOTICE**

If the rear indicator or brake lights are blocked, the light must be repositioned or an auxiliary indicator or parking/brake light fitted.

#### **NOTICE**

- Before putting the spreader into operation, the dismantled parts and connecting parts must be cleaned or adjusted.
- Remove any cleaning tools before working with the spreader.
- Auxiliary warning lights should be used unless prohibited by law.

#### **NOTICE**

Do not leave unconsumed material in the hopper. It may freeze or solidify, causing the equipment to malfunction. Clean the spreader after each use.

### PERSONAL SAFETY

- To prevent other people from starting the vehicle, move into park and remove the key from the ignition.
- Wear safety glasses to protect your eyes from battery acid, gasoline, dirt and dust.
- Avoid contact with hot surfaces such as engines, radiators, hoses and exhaust pipes.
- Keep a Class BC fire extinguisher handy for flammable liquids and electrical fires.

## FILLING OF THE SPREADER

### FILLING OF THE SPREADER

This guide contains recommended vehicles for spreader transport.

#### EXPERT ASSEMBLY

##### **WARNING**

Installing the spreader on a new vehicle requires professional installation. The installer must ensure that the impact load of the snow or ice control material does not exceed the GVWR or GAWR rating plate and complies with regulations.

#### APPROXIMATE WEIGHTS OF THE

##### **WARNING**

Overloading can cause an accident or damage. Do not exceed the values shown on the vehicle's GVWR or GAWR label.

##### **NOTICE**

Never use wet or foreign materials in the spreader. This spreader is designed to work with dry, clean and loose materials.

##### **NOTICE**

Read and follow the manufacturer's label on the packaging of the ice control material, including the material safety data sheet requirements.

The weight of the spreader must be added to the weight of the material to determine the total weight of the spreader. Do not exceed the maximum capacity of the material indicated on the safety label (see Safety Information).

#### **Remark:**

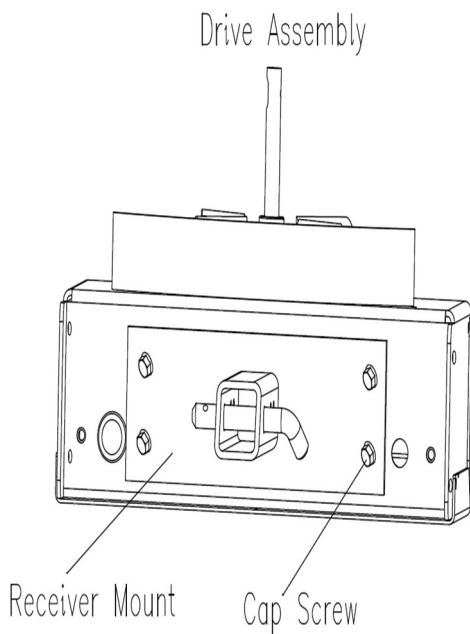
When in doubt about loading of spreader and de-icing material, consider the vehicle by vehicle class.

## INSTALLATION OF THE SPREADER

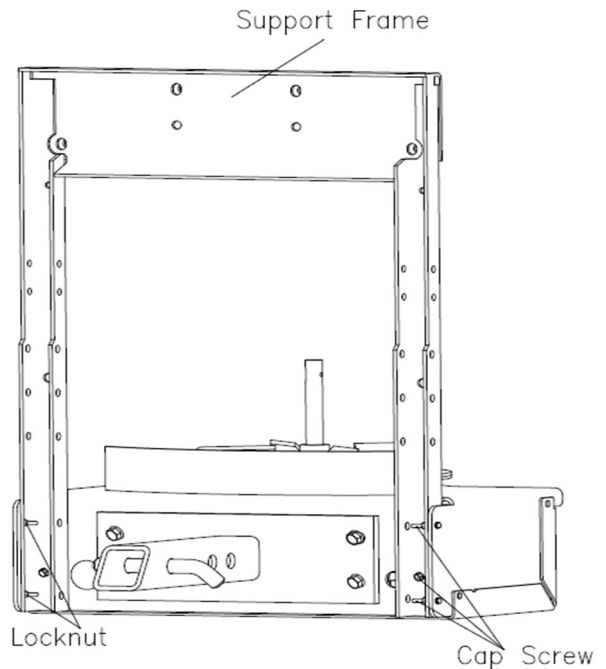
### INSTALLATION PROCEDURE

Install the spreader as instructed. Contact a qualified workshop and have the spreader fitted there. Use only original parts for repairs.

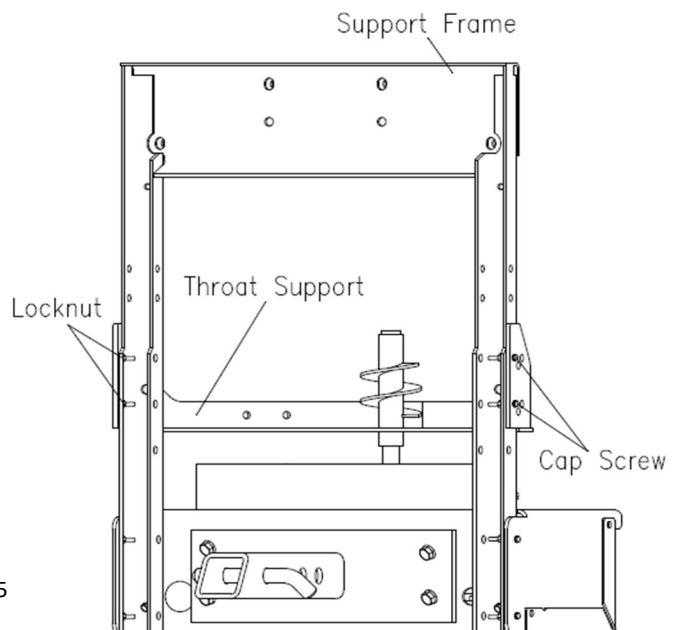
1. Place the drive assembly on a flat surface and use the four flange bolts to attach the Receiver Mount to the drive assembly, see figure below. Tighten the screws.



2. Using the six supplied flange bolts and four supplied self-locking nuts, mount the support frame to the drive assembly. Tighten the bolts and nuts.



3. Using the four supplied flange bolts and self-locking nuts, attach the neck support to the two lower holes of the support frame. Tighten the bolts and nuts.

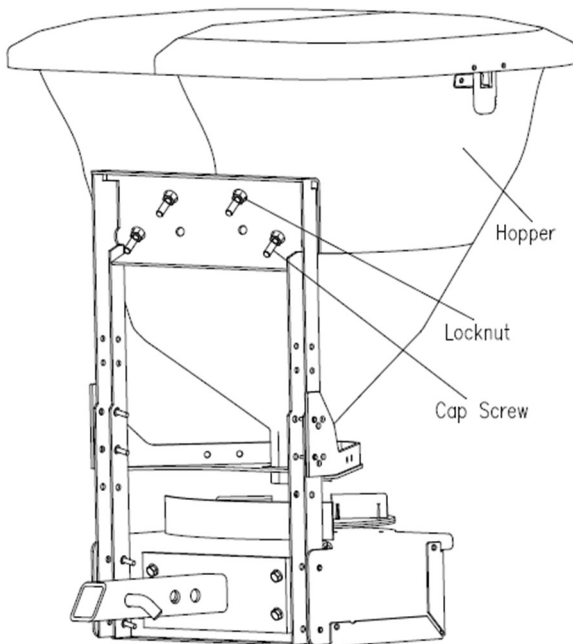


## INSTALLATION OF THE SPREADER

### ▲ NOTICE

Before drilling, check that the vehicle wiring or other parts have not been damaged.

4. Drill four holes in the hopper with the support hole as a template. Place the support plate in the hopper.
5. Attach the hopper to the support frame using the four supplied self-locking nuts through the backing plate, hopper and support frame. Tighten the bolts and nuts.

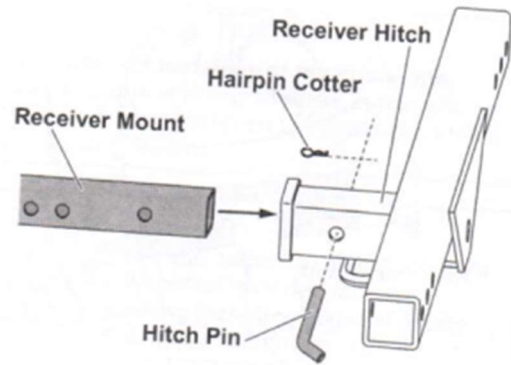


## MOUNTING ON THE TOWING BRACKET

### ▲ NOTICE

Hold the spreader firmly when disassembling or assembling to prevent it from falling.

Insert the assembled unit into the hinge and secure it with the supplied hinge pin and cotter pin.



## SPREADER OPERATOR

### RIDING AND GRITTING ON SNOW

 **WARNING**

Driving under the influence of alcohol is very dangerous. Even small amounts of alcohol can affect your reactions, perception, attention and judgement. Do not drive or operate a spreader after drinking alcohol.

When driving on snow and ice, follow the operating manual. Remember that the wheels do not have good traction when driving on snow or ice. You can't accelerate as quickly, you'll have a harder time turning, and you'll need a longer braking distance. Your tyres will have the worst traction on wet, hard snow or ice. It's easy to lose control of the car. You'll have trouble accelerating. If you spin out, you may have poor steering and difficult braking, which can cause your car to spin out of control.

#### Tips for your ride:

- Drive defensively.
- Do not drive or operate the spreader after having consumed alcohol.
- Work only in good visibility.
- If you cannot see well because of snow or ice, slow down and keep a greater distance from other vehicles.
- Slow down, especially on the road. Your headlights illuminate only part of the road ahead.
- If you are tired, take a break in a safe place.
- Keep the windscreen and all other windows of your vehicle clean so you can see clearly around you.



## SPREADER OPERATOR

### **⚠ WARNING**

Do not use the device under the influence of alcohol, drugs or medication that may affect judgment and reaction time.

### **⚠ WARNING**

If the spreader is connected to a vehicle, the speed must not exceed 72 km/h. A speed higher than 72 km/h may increase the braking distance and impair driving performance.

### **⚠ WARNING**

Never allow children to operate or climb on the device.

### **⚠ WARNING**

Before starting the spreader, the driver should ensure that all bystanders are at least 8 m away from the spreader.

## **CONNECTION OF THE SPREADER POWER SUPPLY**

1. First, disconnect the spreader from the power outlet.
2. Switch the switch on the spreader to the centre position for Remote Control operation
3. To test functionality, press "A" for fast spreading or "B" for lower speed. The spreader will start when pressed.
4. Press the red "D" button on the controller to switch off spreading.

## **STARTING AND STOPPING THE ENGINE**

To start the spreader, press the "A" or "B" button on the controller. "A" means fast, "B" means slow, "C" is used only for pairing. Press the "D" button to stop the spreader.



---

NOTE: The vehicle ignition must be switched on to start the spreader.

---

---

NOTE: When the spreader is in operation, the ignition of the vehicle is switched off and the engine is stopped.

---

---

Note: Rotary motors are not designed for continuous operation. Allow extra time between cycles for the motor to cool down.

---

## SPREADER OPERATOR

### TIPS FOR WORKING WITH A SPREADER

- Do not exceed a speed of 16 km/h while spreading.
- If the passage is difficult, drive slowly.
- Do not use the spreader near pedestrians.
- When spreading, take into account the proximity of vegetation.

### DISMANTLING THE SPREADER

**▲ NOTICE**

Empty the hopper before dismantling the spreader.

**▲ NOTICE**

Hold the spreader firmly when disassembling or assembling to prevent it from falling.

1. Disconnect the spreader cables from the vehicle.
2. Pull the locking pin out of the towing bracket.
3. Remove the spreader from the vehicle and place it in an upright position. This may require additional support.

## PROGRAMMING AND PAIRING THE REMOTE CONTROL

If any of the buttons do not work, go to "Resetting the Remote Control Module" and repeat the programming and pairing process.

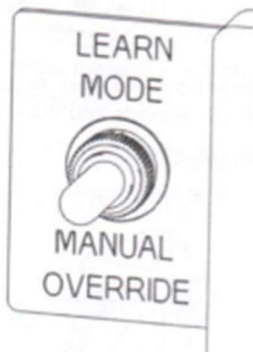
### Resetting the remote receiving module

Switch the three-position switch to the "LEARN MODE" position for 15 seconds and then switch it back to the center position. This will clear all previously paired remote controls from memory. The remote control must be paired before starting work.

### Pairing the remote control with the wireless receiving module

#### WARNING

After successful pairing, the spreader disc starts immediately. Do not touch the spreader disc with your hands or tools.



1. Switch the switch on the spreader receiver to the center position.
2. Press and hold the "C" button on the remote control and at the same time switch the switch up to the "LERN MODE" position for about 2-3 sec. After 2-3 sec switch back to the center position.

Done, paired

**MAINTENANCE**

**⚠ WARNING**

Never remove the spreader with material in the hopper.

**⚠ NOTICE**

Disconnect power from the spreader's electrical harness and remove the cover before any repair or maintenance.

**⚠ NOTICE**

- When replacing parts, use original parts. Otherwise you will lose your warranty.
- The control is a solid state electronic unit and is not repairable. Any attempt to disassemble will void the warranty.
- There are no components in the engine/transmission assembly that need to be maintained. Any attempt to disassemble will void the warranty.
- When cleaning the engine cover area under pressure, keep a distance of at least 1 m from the engine cover.

**MAZAN**

To ensure that the spreader works without problems, please observe the following recommendations:

- After 20 hours of operation, grease the bearings.

- Apply a small amount of fine oil to the latch as needed.

**AFTER EACH USE**

**⚠ NOTICE**

Do not leave unused material in the hopper. Materials will freeze or solidify, causing the unit to not function normally. Empty and clean the unit after each use.

- Rinse the hopper and rinse all external surfaces.
- Apply dielectric grease to all electrical connections to prevent corrosion.

**STORAGE**

- Rinse the hopper and rinse all external surfaces.
- Lubricate all grease fittings with a good quality universal grease.
- Paint or coat all exposed metal surfaces.
- If the engine cover is removed, use silicone sealant.

Store the spreader in a clean, dry place out of direct sunlight.



**Official distributor:**

ASP Group s.r.o.

Address:

Staroplzenecká 290, 326 00 Letkov  
Česká republika

E-mail: [info@aspgroup.cz](mailto:info@aspgroup.cz)

Tel: +420 378 21 21 21

[www.aspgroup.eu](http://www.aspgroup.eu)

Copyright © 2023 ASP Group Distributing

**[www.shark-accessories.eu](http://www.shark-accessories.eu)**