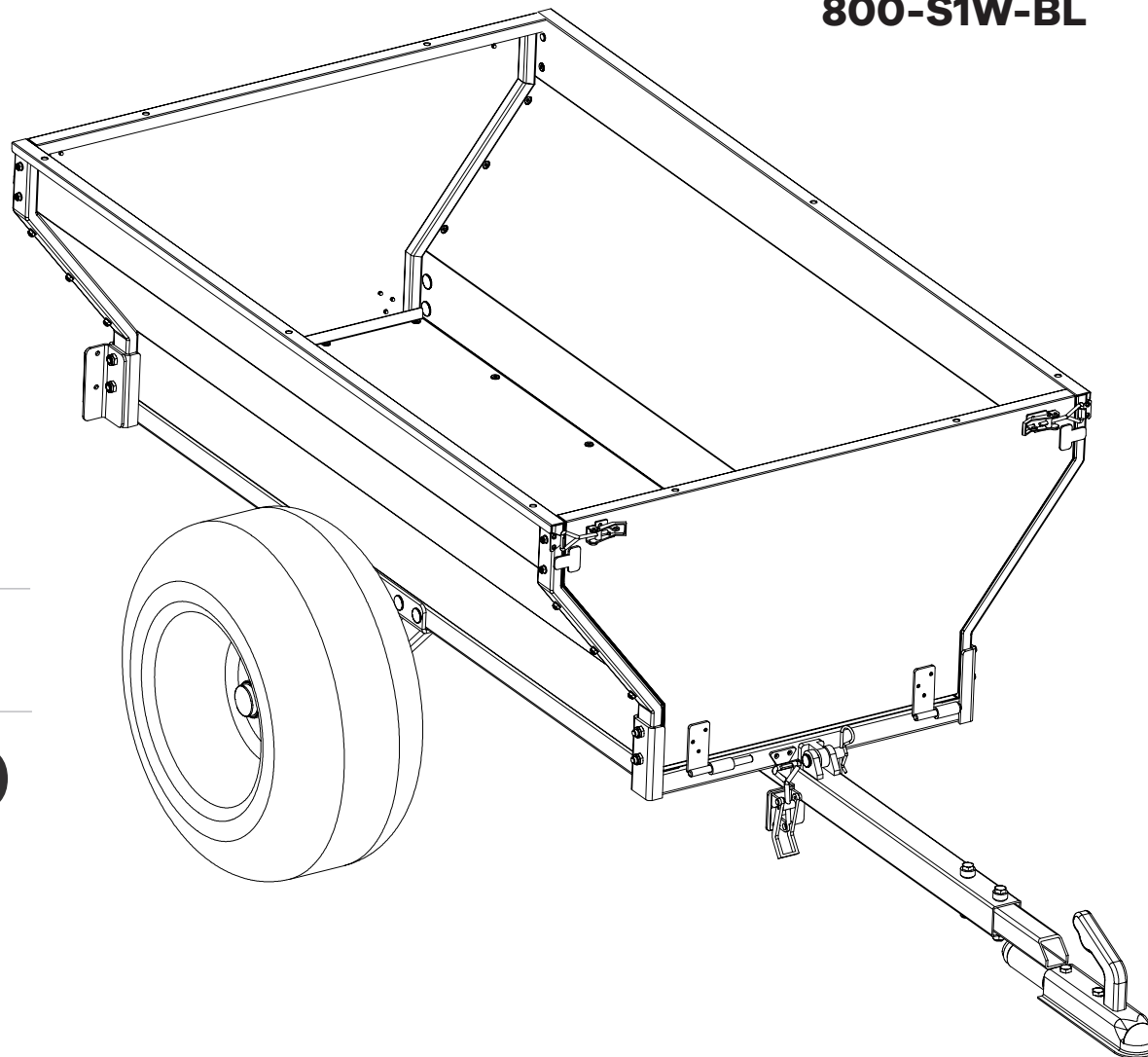




PRODUCT CODE:
800-S1W-BL



ASSEMBLY INSTRUCTIONS

ATV TRAILER

SHARK WOOD 550



FOR MORE SHARK PRODUCTS, INFORMATION AND USER MANUALS:

www.shark-accessories.eu



We appreciate your purchase of our trailer.

Please follow these instructions carefully. This manual should be kept in a safe place and reviewed periodically.

We provide a **24-month warranty covering defects in materials and workmanship from the date of purchase.**

This warranty does not cover:

Mechanical damage. Damage caused by misuse, abuse, or neglect. Damage resulting from overloading or improper load distribution. Damage caused by accidents, impacts, or rollovers. Damage resulting from unauthorized modifications or repairs, normal wear and tear.

CONTENTS

TOOLS REQUIRED	1
IMPORTANT ASSEMBLY TIP	1
GENERAL SAFETY RULES	2
ASSEMBLING / STEP 1	3
ASSEMBLING / STEP 2	4
ASSEMBLING / STEP 3	5
ASSEMBLING / STEP 4	6
ASSEMBLING / STEP 5	7

TOOLS REQUIRED

- Ratchet with socket 10 mm
- Ratchet with socket 13 mm
- Ratchet with socket 16 mm
- Ratchet with socket 17 mm
- Ratchet with socket 24 mm
- Allen wrench, 4mm

IMPORTANT ASSEMBLY TIP:

Do not fully tighten any nut and bolt combinations until all parts are assembled together. Initially tighten fasteners **finger-tight plus one turn with a wrench only.**

This will:

- allow proper alignment of all parts
- prevent assembly stress
- ensure correct positioning of all components

After the complete assembly is finished, **all nut and bolt connections must be fully tightened.**

GENERAL SAFETY RULES:

WARNING

Read and understand all instructions before use. Failure to follow these instructions may result in serious injury or death.

The warnings, cautions, and instructions in this manual cannot cover all possible conditions or situations. Common sense and caution must always be used by the operator.

This product is designed for a specific application only.

The manufacturer and distributor are not responsible for damage or injury resulting from unauthorized modifications or use outside the intended purpose of this product.

Read, understand, and follow all assembly, inspection, maintenance, and use instructions before each use.

Double-check the assembly of the trailer before initial use. Ensure all nuts and bolts are properly tightened. Periodically check fasteners, as vibration may cause them to loosen over time.

Always maintain correct tire air pressure as specified on the tire sidewall.

Do not use the trailer on slopes exceeding the limits specified by the ATV manufacturer or on terrain where load shifting may occur, as excessive or improperly distributed load may lead to loss of control of the ATV and/or trailer.

Do not exceed a speed of 16 km/h while using this product.

Never allow people or animals to ride in the trailer. This trailer is not designed for passenger transport.

Use caution near the trailer tilt latch. Ensure the latch is fully engaged before each use.

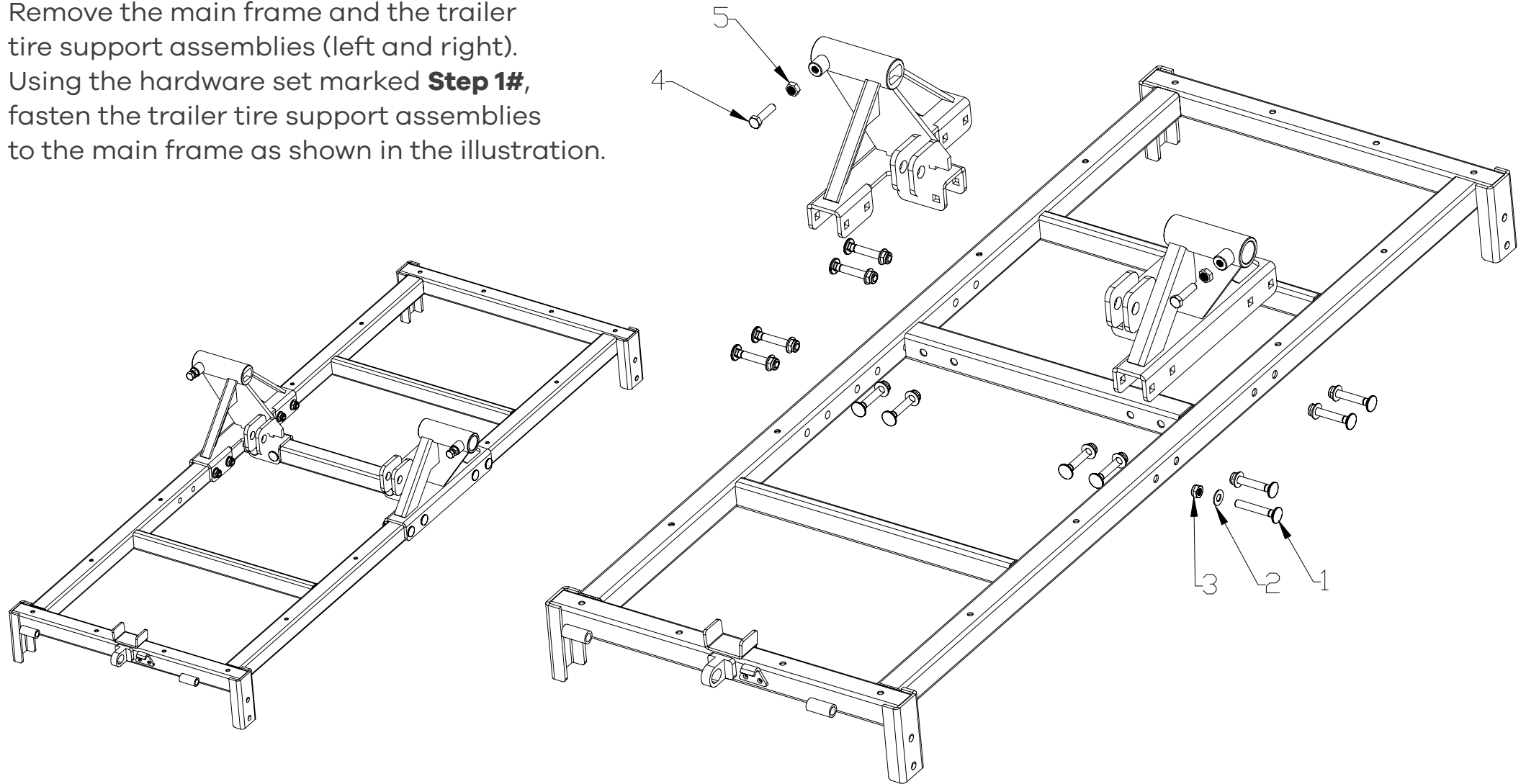
Load must be evenly distributed and securely fastened.

NEVER:

- Exceed the maximum load capacity of **500 kg**.
- Use excessive speed while towing the trailer.
- Allow people or animals to ride in the trailer.
- Use a damaged or improperly maintained product.
- Use the trailer while intoxicated or under the influence of alcohol, drugs, or medication that may impair judgment or reaction time.
- Use the trailer on rocky or obstacle-ridden terrain where safe operation cannot be ensured.
- Operate the trailer carelessly. Always think safety.

STEP 1

Remove the main frame and the trailer tire support assemblies (left and right). Using the hardware set marked **Step 1#**, fasten the trailer tire support assemblies to the main frame as shown in the illustration.



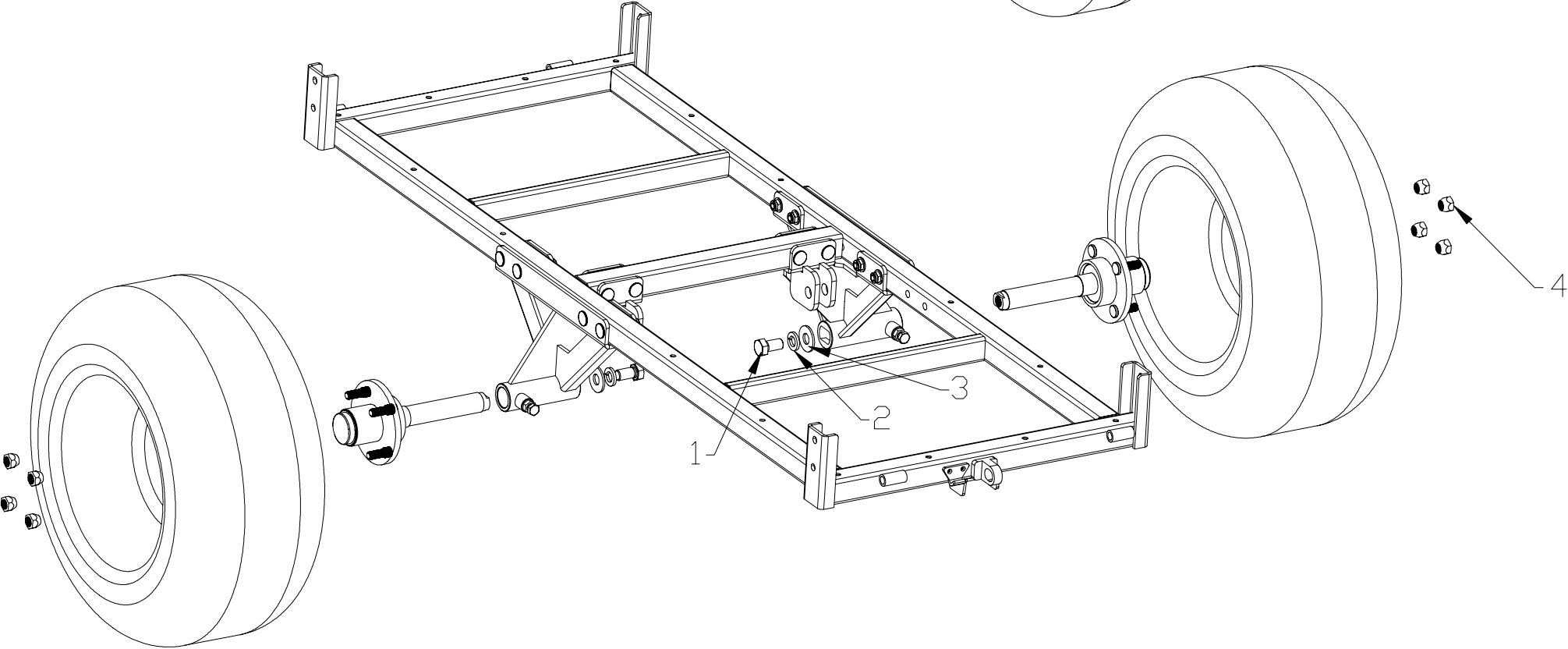
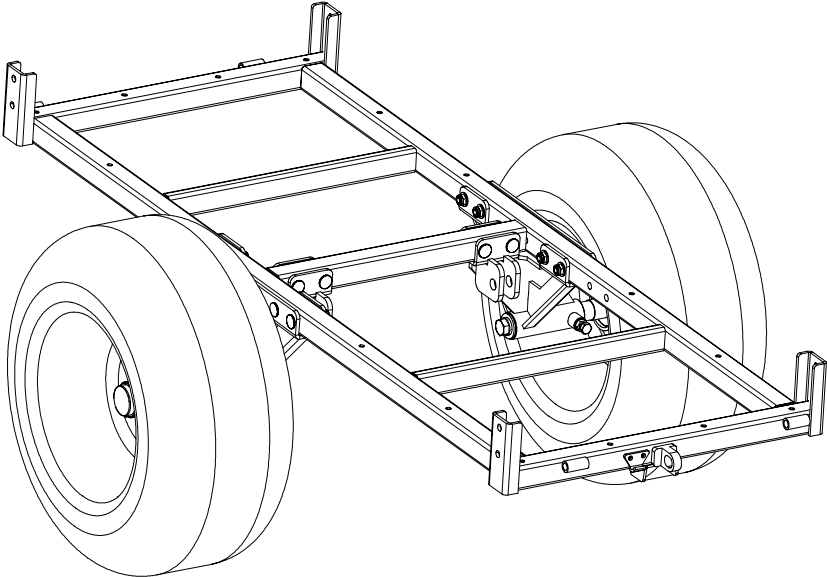
1	M10×70 carriage bolt	12 pcs
2	M10 flat washer	12 pcs
3	M10 hex lock nut	12 pcs

4	M10×40 hex head fully threaded bolt	2 pcs
5	M10 hex head bolt	2 pcs

STEP 2

Using the hardware bag marked **Step 2#** and the trailer hub assemblies, install and secure the two wheels onto the left and right trailer tire support assemblies, as shown in the illustration.

1	M16x30 out heagon full thread screw	2 pcs
2	M16 spring washer	2 pcs
3	M16 flat washer 40x3 mm	2 pcs
4	M12x1.5 wheel conical nut	8 pcs



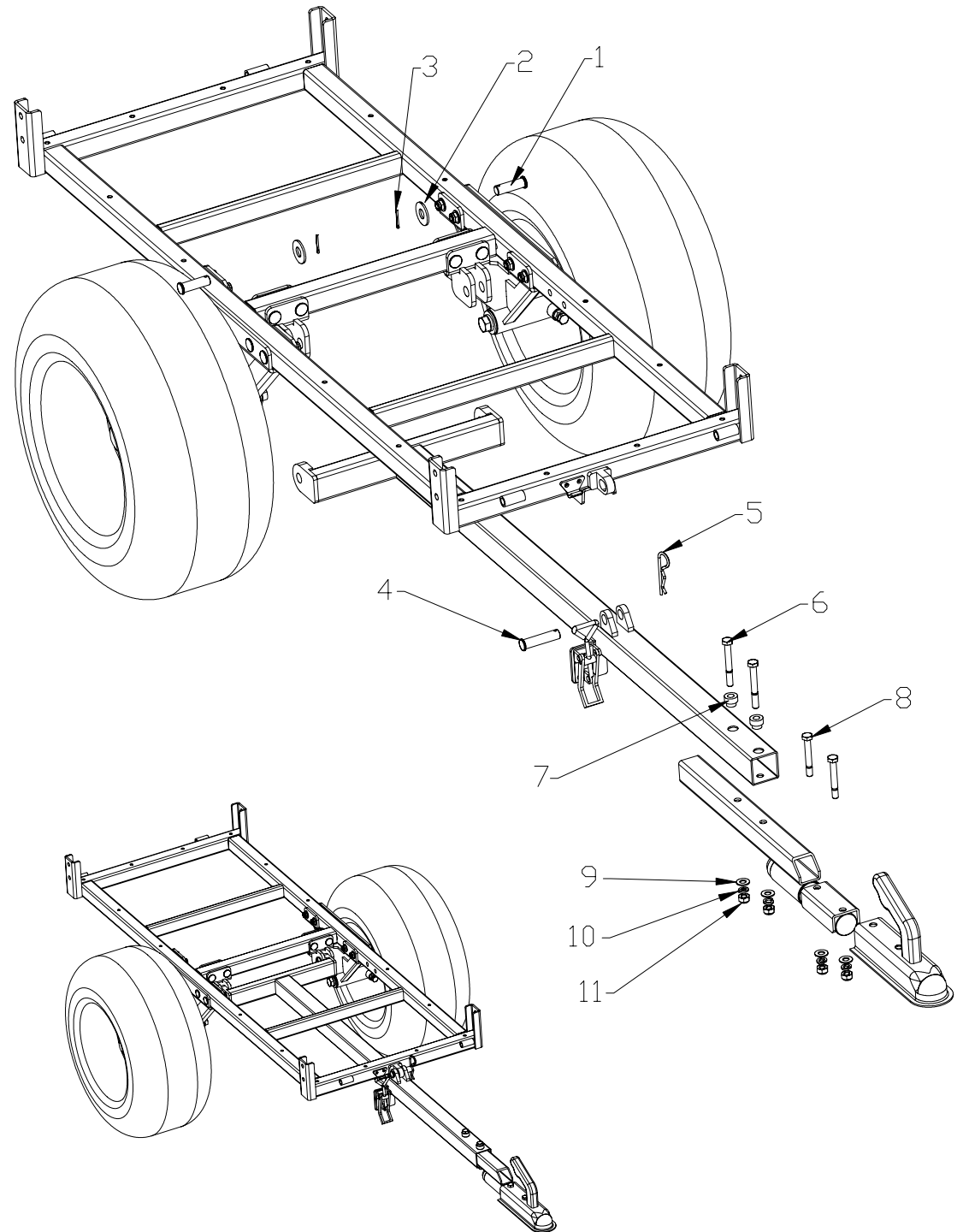
STEP 3

Use the hardware bag marked **Step 3#**.

1) Attach the T-type trailer hitch frame module to the main frame using (1, 2, 3).

2) Install the ball mount cover and connection module, using (4 - 11).

1	M16×50 flat head straight pin with hole	2 pcs
2	M16 flat washer 40x3 mm	2 pcs
3	3×25 cotter pin	2 pcs
4	M16×65 flat head straight pin with hole	1 pcs
5	3×75 R-pin	1 pc
6	M10×80 hex head partially threaded bolt	2 pcs
7	Spacer	2 pcs
8	M10×70 hex head partially threaded bolt	2 pcs
9	M10 spring washer	4 pcs
10	M10 flat washer	4 pcs
11	M10 hex lock nut	4 pcs



STEP 4

Use the hardware bag marked **Step 4#**.

1) Assemble the side panels and upright tubes. Using the hardware bags marked "Step 4", assemble the two side panels with the four upright tubes using (6, 7, 8).

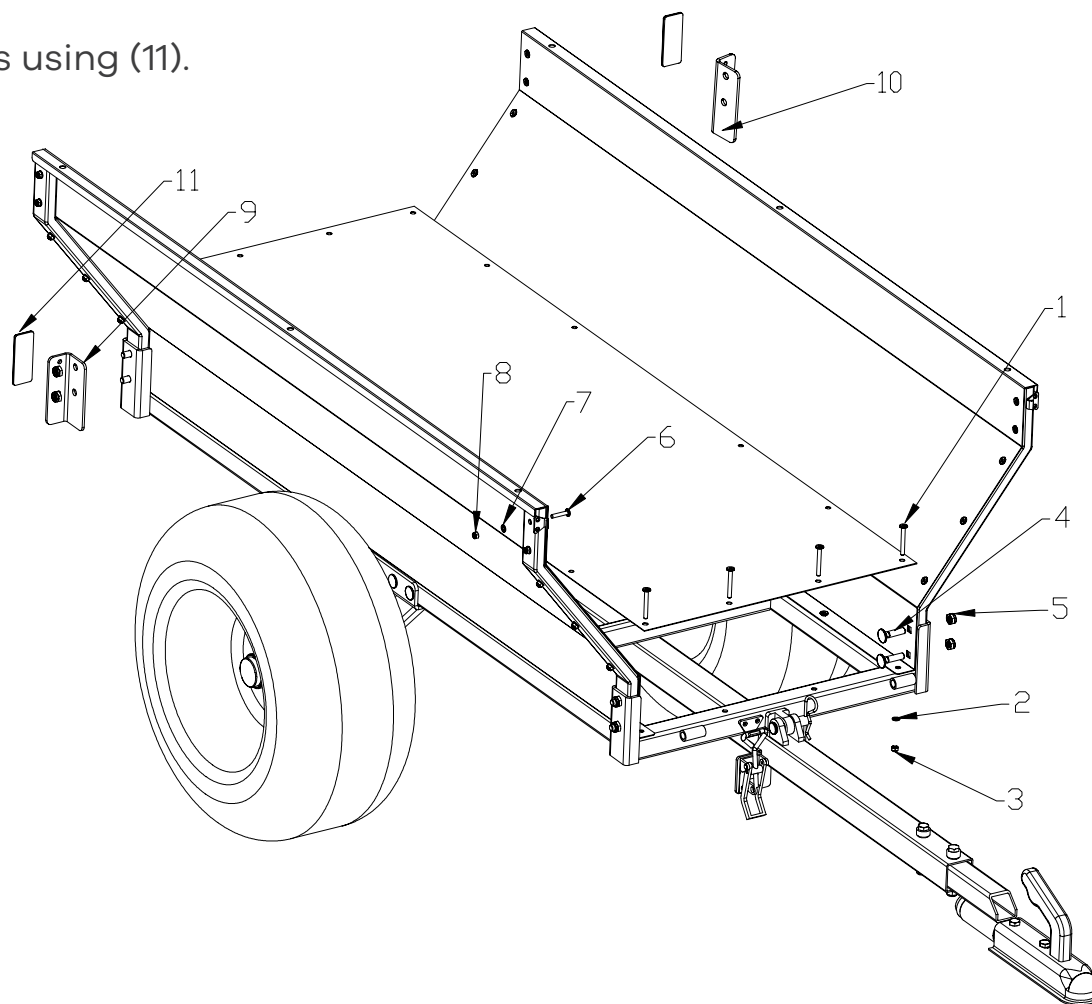
2) Install the upright tube assemblies onto the main frame. Insert the assembled upright tubes into the four corner tubes of the main frame. Secure them to the trailer main frame using (4, 5).

Note: Before tightening the bolts, install the reflector brackets on the two rear corner positions using (9, 10).

3) Fasten the trailer floor using (1, 2, 3).

4) Attach the plastic reflectors to the reflector brackets using (11).

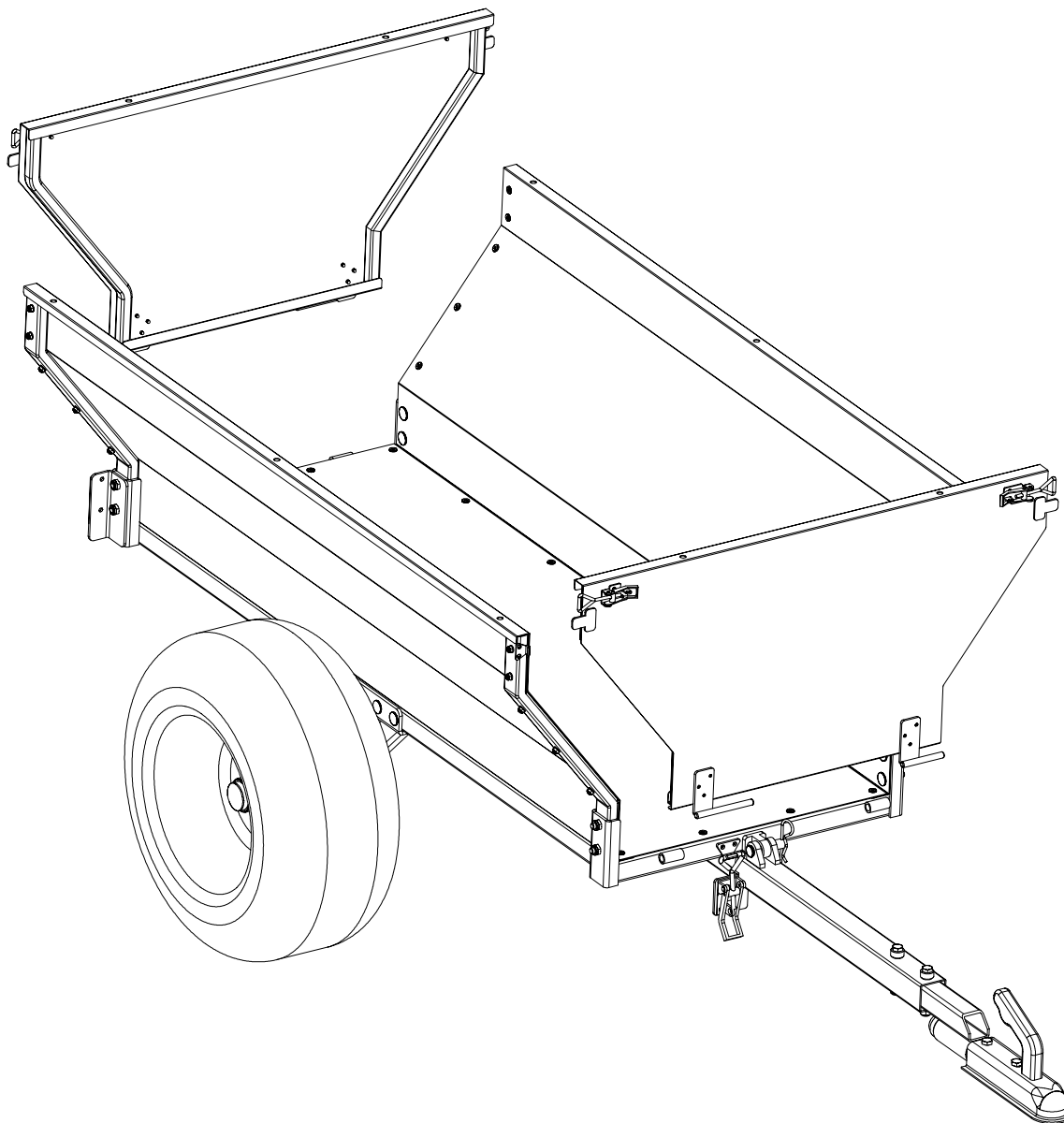
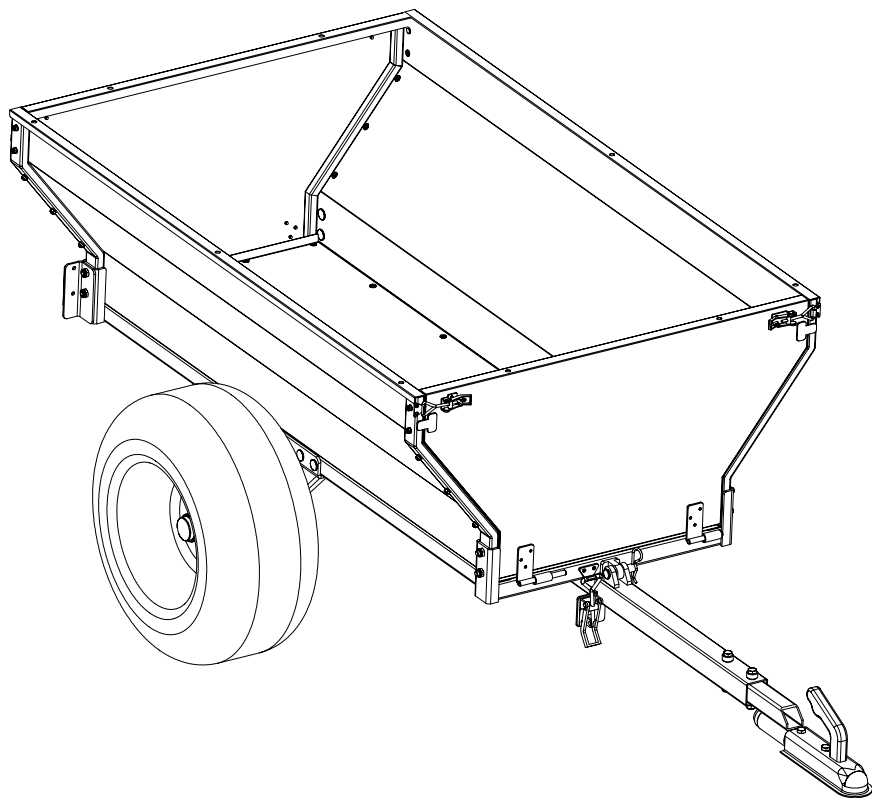
1	M6 × 50 countersunk hex socket head screw	16 pcs
2	M6 flat washer	16 pcs
3	M6 outer hexagon lock nut	16 pcs
4	M10×40 carriage bolt	8 pcs
5	M10 hex lock nut	8 pcs
6	M6×30 countersunk hex socket head screw	20 pcs
7	M6 flat washer	20 pcs
8	M6 hex lock nut	20 pcs
9	Reflector bracket L	1 pc
10	Reflector bracket R	1 pc
11	Plastic reflector	2 pcs



STEP 5

Install the two trailer door assemblies onto the trailer as shown in the illustration.

The assembly is now complete.



Official distributor



ASP Group s.r.o.

Staroplzenecka 290 / 326 00 / Letkov / Czech Republic

Tel.: +420 378 21 21 21 / E-mail: info@aspgroup.cz / www.aspgroup.eu