

OWNER'S / OPERATOR'S MANUAL

LINHAI

650L 4x4 ProMax



LH650ATV-DL T3 OWNER'S/OPERATOR'S MANUAL 23.0

PN.F010206A32



© ASP Group s.r.o. 2023

DISTRIBUTED BY:

ASP Group Distributing
Staroplzenecka 290, 326 00, Letkov
Czech Republic
+420 378 21 21 21
info@aspgroup.cz
www.aspgroup.eu

CONTENTS

1. INTRODUCTION	1.1
2. UNDERSTANDING WARNING	2.1
3. SAFETY WARNING	3.1
4. DAILY PRE-RIDE INSPECTION	4.1
5. OPERATION WARNINGS	5.1
6. V.I.N., ENGINE SERIAL NUMBER AND KEY	6.1
7. CONTROLS AND FUNCTIONS	7.1
8. STARTING THE ENGINE	8.1
9. BREAK-IN PERIOD	9.1
10. RIDING GEAR	10.1
11. CARRYING LOADS	11.1
12. RIDING	12.1
13. CVT SYSTEM	13.1
14. BATTERY	14.1
15. EXHAUST SYSTEM	15.1
16. MAINTENANCE	16.1
17. TROUBLE SHOOTING	17.1
18. TOOLS	18.1
19. SPECIFICATIONS	19.1
20. WIRING DIAGRAM	20.1

1. Introduction

Congratulations on the purchase of your ALL Terrain Vehicle (ATV). We take pride in offering you this product engineered and manufactured to the highest performance and quality standards. We are sure that you will enjoy superior levels of performance, reliability, riding comfort, and safety.

This manual is provided to help the owner and operators of this ATV to become familiar with the operation and features of this ATV. The manual also covers information on the care and maintenance of your ATV.

Please read this manual carefully. The information contained in this Owner's Manual, the Warning Labels supplied with this product will help you to understand the safe use and maintenance of your ATV. Make sure that you understand and follow all Warnings and Instructions in this material.

If you did not receive any of the material listed above, please call your dealer and request to have them sent to you.

Important Safety Notice

Never make any modifications to the engine, drive system, mechanical or electrical systems of your ATV. Never install aftermarket parts or accessories intended to increase the speed or power of your ATV.

Failure to follow these warnings increases the possibility of accidents leading to **DEATH** or **SERIOUS INJURY!** Also, failure to follow these requirements will void the Warranty on your ATV.

NOTE

The addition and use of certain accessories including, but not limited to, mowers, blades, sprayers, winches and windshields will change the handling characteristics and the performance of your ATV.

Practice Responsible ATV Riding

Make sure that you understand and follow all local, state/province, and federal/national riding laws and requirements.

Remember respect your vehicle, respect the environment and respect the property of others. You are responsible for your safety and the safety of others around you when you ride!

AN ATV CAN BE HAZARDOUS TO OPERATE

An ATV handles differently from other vehicles including motorcycles and cars. A collision rollover can occur quickly, even during routine maneuvers such as turning and driving on hills or over obstacles, if you fail to take proper precautions.

1. Introduction



SERIOUS INJURY OR DEATH

can result if you do not follow these instructions.

- Read this manual and all labels carefully and follow the operating procedures described.
- Never operate an ATV without proper instruction. Take a training course. Beginners should receive training from a certified instructor. Contact an authorized ATV dealer to find out about the training courses nearest you.
- Never allow anyone who is not an adult to operate this ATV.
- Never permit a guest to operate this ATV unless he/she has read this manual and all safety labels, and has completed a training course.
- Never operate an ATV without wearing an approved helmet that fits properly. You should also wear eye protection (goggles or face shield), gloves, boots, long-sleeved shirt or jacket, and long pants.
- Never consume alcohol or drugs before or while operating this ATV.
- Never ride at excessive speeds. Always travel at a speed which is proper for the terrain, visibility and operating conditions, and your experience.
- Never attempt wheelies, jumps or other stunts.
- Always inspect your ATV each time you use it to make sure it is in safe operating condition. Always follow the inspection and maintenance procedures and schedules described in this manual.
- Always keep both hands on the handlebars and both feet on the footrests of the ATV during operation.
- Always go slowly and be extra careful when operating on unfamiliar terrain. Always be alert to changing terrain conditions when operating the ATV.
- Never operate on excessively rough, slippery or loose terrain.
- Always follow proper procedures for turning as described in this manual. Practice turning at low speeds before attempting to turn at faster speeds. Do not turn in excessive speeds.
- Always have the ATV checked by an authorized dealer if it has been involved in an accident.
- Never operate ATV on hills too steep for the ATV or for your abilities. Practice on smaller hills before attempting larger hills.
- Always follow proper procedures for climbing hills as described in this manual. Check the terrain carefully before you start up any hill. Never climb hills with excessively slippery or loose surfaces. Shift your weight forward. Never open throttle suddenly or make sudden gear changes. Never go over the top of any hill at high speed.
- Always follow proper procedures for going down hills and for braking on hills as described in this manual. Check the terrain carefully before you start down any hill. Shift your weight backward. Never go down a hill at high speed. Avoid going down a hill at an angle which would cause the vehicle to lean sharply to one side. Go straight down the hill where possible.

1. Introduction

- Always follow proper procedures for crossing the side of a hill as described in this manual. Avoid hills with excessively slippery or loose surfaces. Shift your weight to the uphill side of the ATV. Never attempt to turn the ATV around on any hill until you have mastered the turning technique described in this manual on level ground. Avoid crossing the side of a steep hill if possible.
- Always use proper procedures if you stall or roll backwards when climbing a hill. To avoid stalling, maintain a steady speed when climbing a hill. If you stall or roll backwards, follow the special procedure for braking described in this manual. Dismount on the uphill side or to either side if pointed straight uphill. Turn the ATV around and remount, following the procedure described in this manual.
- Always check for obstacles before operating in a new area. Never attempt to operate over large obstacles, such as large rocks or fallen trees. Always follow proper procedures when operating over obstacles as described in this manual.
- Always be careful of skidding or sliding. On slippery surfaces, such as ice, go slowly and be very cautious in order to reduce the chance of skidding or sliding out of control.
- Avoid operating the ATV through deep or fast flowing water. Avoid water which exceeds the recommended maximum depth. Go slowly, balance your weight carefully avoiding sudden movements, maintain a slow and steady forward motion, do not make sudden turns or stops, and do not make sudden throttle changes.
- Wet brakes may have reduced stopping ability. Test your brakes after leaving water. If necessary apply them lightly several times to let friction dry out the pads.
- Always be sure there are no obstacles or people behind you when you operate in reverse. When it is safe to proceed in reverse, go slowly. Avoid turning at sharp angles in reverse.
- Always use the size and type tires specified in this manual. Always maintain proper tire pressure as described in this manual.
- Never modify an ATV through improper installation or use of accessories
- Never exceed the stated load capacity for an ATV. Cargo should be properly distributed and securely attached. Reduce speed and follow instructions in this manual for carrying cargo or pulling a trailer. Allow greater distance for braking.
- Attention: There is a risk of fire from driving the vehicle on the ground where grass has dried up or parking the vehicle on such surface when the engine is hot.

2. UNDERSTANDING WARNINGS

ATTENTION:

This is an ADULT VEHICLE ONLY, its not a toy. READ AND UNDERSTAND WARNINGS AND OWNER'S MANUAL BEFORE OPERATION.



KNOW YOUR VEHICLE BEFORE YOU START RIDING!

Read this manual thoroughly before operating this vehicle. Ride responsibly for your personal safety, the safety of others, and the protection of the environment.

NOTE: Illustrations in this manual are for general representation only. Your model may differ.

SAFETY ALERT

WARNINGS identify special instructions or procedures which, if not correctly followed, could result in personal injury, or loss of life. Read all WARNINGS in this manual carefully. Follow their instructions to remain safe.

The following precautionary signal words are used throughout this manual to convey the following messages:



This is the safety alert symbol. When you see this symbol on your machine or in this manual, be alert to the potential for personal injury. Your safety is involved!



WARNING

Indicates a potential hazard which could result in severe injury or death.



CAUTION

Indicates a potential hazard which may result in minor personal injury or damage to the ATV.

CAUTION

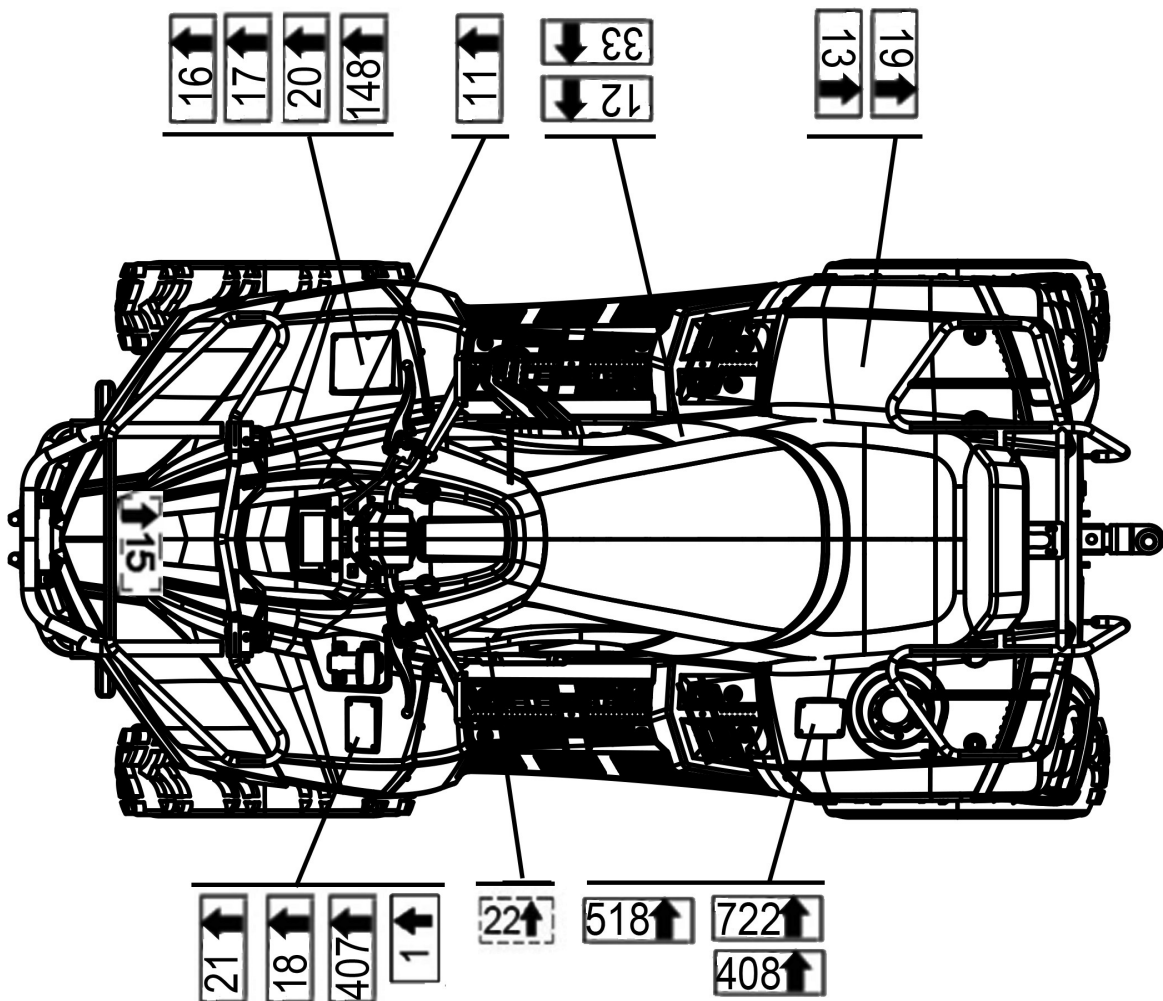
Indicates a situation that can result in damage to the machine.

NOTE

“NOTES” in this manual will alert you to key information or instructions.

3. SAFETY WARNING

SAFETY LABELS AND WARNINGS



NOTE:

Warning decals have been placed on the vehicle for your protection. Read and follow the instructions on each decal carefully. In the event any decal becomes illegible or comes off, contact your dealer for a replacement.

Attention: There is a risk of fire from driving the ATV on the surfaces where grass has dried up or parking the vehicle on such surface when engine is hot.

3. SAFETY WARNING

1.

⚠ WARNING

Do not remove the radiator cap when the engine and radiator are hot. Scalding hot fluid and steam may be blown out under pressure, which could cause serious injury.

When the engine has cooled, open the radiator cap as follows:
Place a thick rag or a towel over the radiator cap. Slowly rotate the cap counterclockwise toward the detent. This allows any residual pressure to escape.

When any hissing sound has stopped, press down on the cap while turning counterclockwise and remove it.

T02630

2.

⚠ CAUTION

When switching to the 2WD position from 4WD, the button will stay in the 2WD position but the 4WD mechanism maybe still be engaged.

The 4WD will finally disengage when riding on a hard surface or riding in reverse.

The 2WD indicator on the speedometer will come on when 4WD is disengaged.

T02020

3.

CAUTION

To avoid transmission breakages use the shift lever only while the vehicle is standing still and the engine is running at idle speed.

T02017

4.

CAUTION

TO KEEP THE CLUTCH & TRANSMISSION IN GOOD CONDITIONS.

Use:

Low Range:

- Basic operation at speeds less than 11km/h
- Heavy pulling
- Riding through rough terrain (swamps, mountains, etc.) at low ground speeds

High Range:

- Basic operation at speeds greater than 11km/h
- High ground speeds.

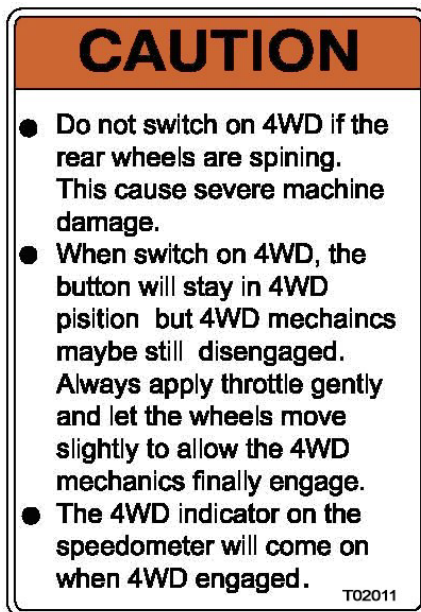
T02016

3. SAFETY WARNING

5.



6.



7.



3. SAFETY WARNING

8.

WARNING

Never Operate this vehicle on HILLS steeper than 15% gradient.
To prevent flip over on hilly terrain, use the throttle and brake gradually.

Operation of the ATV in reverse, even at low speeds can be dangerous.
Steering and control of the ATV can become difficult.

To prevent flip over, avoid sudden braking and sharp turns.

T02013

9.

WARNING

Attempting to shift the operating range of the transmission, or to shift into or out four wheel drive while the ATV is in motion or the engine speed higher than idle can cause loss of control of the ATV or severe damage to the transmission and drive system.

Never attempt to shift the operating range of the transmission or to shift into or out four wheel drive while the ATV is in motion or the engine speed higher than idle.

T02019

10.

WARNING

- **NEVER** carry a passenger on rack.
- **DO NOT TOW** from rack or bumper.
- **MAX REAR LOAD:** 44 lb. (20 kg) evenly distributed.

11.

WARNING

Pulling excessive loads can cause loss of stability or control of the ATV.

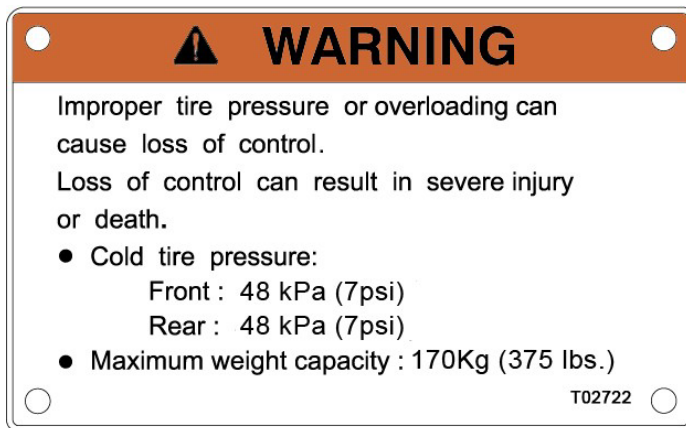
Do not exceed the load capacity for the hitch.

Make sure the vehicle is always driven in low gear at low speed once a trailer is towed.

T02518

3. SAFETY WARNING

12.



13.



14.



3. SAFETY WARNING

15.


WARNING

Improper ATV use can result in SEVERE INJURY or DEATH



ALWAYS USE AN APPROVED HELMET AND PROTECTIVE GEAR



NEVER CARRY MORE THAN ONE PASSENGER



NEVER USE WITH DRUGS OR ALCOHOL

NEVER carry a passenger too small to firmly plant feet on footrests and securely grasp hand holds.

THE PASSENGER MUST ALWAYS:

- use an approved helmet and protective gear
- securely grasp hand holds and plant feet firmly on footrests while seated in the passenger seat
- tell operator to slow down or stop if uncomfortable -get off and walk if conditions require

NEVER operate:

- without proper training or instruction
- at speeds too fast for your skills or the conditions

ALWAYS:

- use proper riding techniques to avoid vehicle overturns on hills and rough terrain and in turns

**LOCATE AND READ OWNER'S MANUAL.
FOLLOW ALL INSTRUCTIONS AND WARNINGS.**

T02028

16.

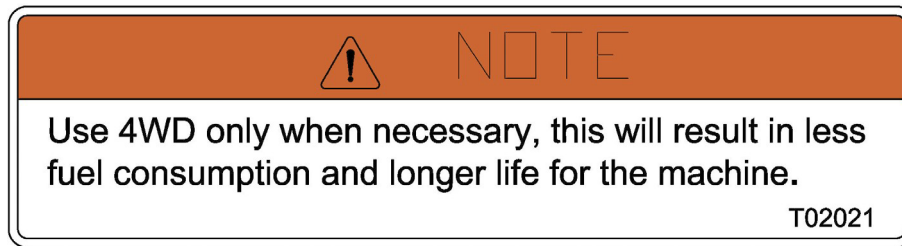

WARNING

Never activate the override button while throttle is open as loss of control may result, causing severe personal injury or death.

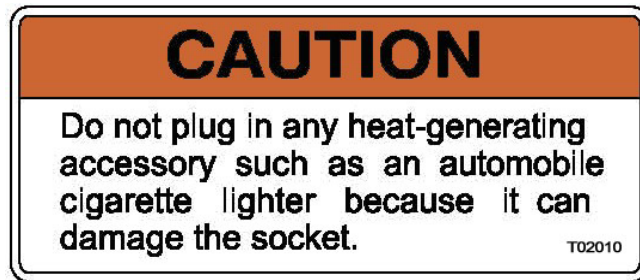
T02018

3. SAFETY WARNING

17.



18.



19.



4. DAILY PRE-RIDE INSPECTION



WARNING

You must inspect your ATV each time before riding to ensure it is in proper working order. If proper inspection is not done, severe injury or death could result.

Use the following checklist to verify your machine is in proper working order each time you ride.

Item/Inspection procedure

1. Tire-check condition and pressures.
2. Fuel tank-fill the fuel tank to its proper level.
3. All brakes-check operation, adjustment and fluid level (includes auxiliary brake).
4. Throttle-check for free operation and closing.
5. Headlight / Taillight / Brake light-check operation of all indicator lights and switches.
6. Engine stop switch-check for proper function.
7. Wheels-check for tightness of wheel nuts and axle nuts; check those axle nuts are secured by cotter pins.
8. Air cleaner element-check for dirt; clean or replace.
9. Steering-check for free operation noting any unusual looseness in any area.
10. Loose parts-visually inspect vehicle for any damaged components or loose nuts/bolts or fasteners.
11. Operator's helmet, goggles and clothing.
12. Engine coolant check for proper level at the recovery bottle.

5. OPERATION WARNINGS

Get on and leave ATV

Get on

Get on the ATV through left or right by steps.

Leave

Check that the surroundings are safe and slowly park the ATV.

Stop the engine. (Key off)

Push the parking lever to the ON position to lock the rear wheels.

Leave the ATV through left or right steps.



WARNING

POTENTIAL HAZARD

Operating this ATV without proper instruction.

WHAT CAN HAPPEN

The risk of an accident is greatly increased if operator does not know how to operate the ATV properly in different situations and on different types of terrain.

HOW TO AVOID THE HAZARD

Beginning and inexperienced operators should complete the certified training course. They should then regularly techniques described in the Owner's Manual.

For more information about the training course, contact an authorized ATV dealer.



WARNING

POTENTIAL HAZARD

Operating this ATV without wearing an approved helmet, eye protection and protective clothing.

WHAT CAN HAPPEN

Operating without an approved helmet increases your chances of a severe head injury or death in the event of an accident.

Operating without eye protection can result in an accident and increases your chances of a severe injury in the event of an accident.

HOW TO AVOID THE HAZARD

Always wear an approved helmet which fits properly.

You should also wear: eye protection (goggles or face shield); gloves; boots; long-sleeved shirt or jacket; and long pants.

5. OPERATION WARNINGS



WARNING

POTENTIAL HAZARD

Operating this ATV after consuming alcohol or drugs.

WHAT CAN HAPPEN

Could seriously affect your judgment.

Could cause you to react more slowly.

Could affect your balance and perception.

Could result in an accident.

HOW TO AVOID THE HAZARD

Never consume alcohol or drugs before or while driving this ATV.



WARNING

POTENTIAL HAZARD

Operating this ATV at excessive speeds.

WHAT CAN HAPPEN

Increases your chances of losing control of the ATV, which can result in an accident.

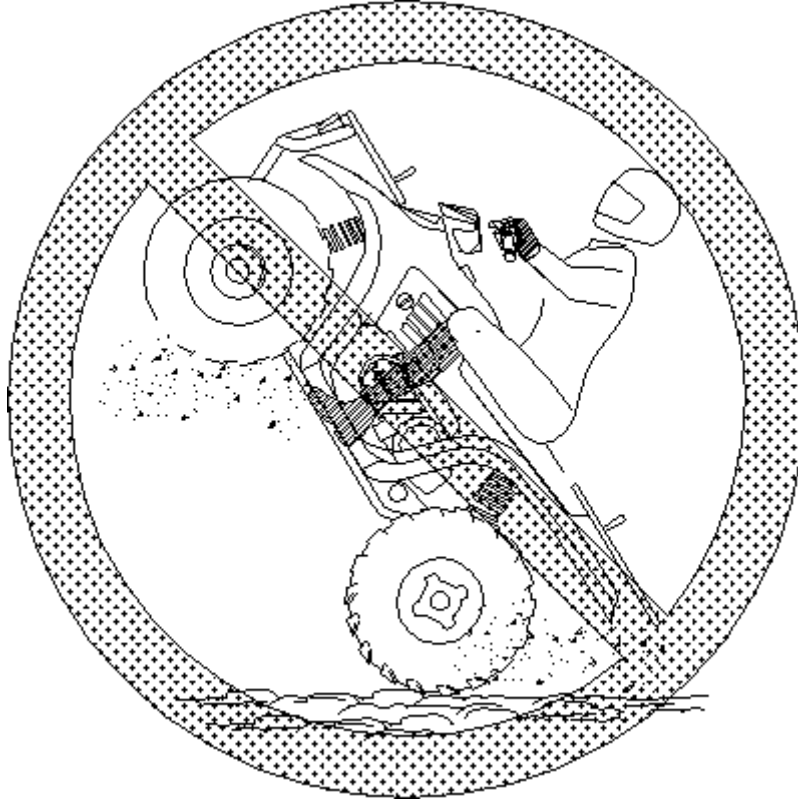
HOW TO AVOID THE HAZARD

Always travel at a speed which is proper for the terrain, visibility and operating conditions; and your experience.

5. OPERATION WARNINGS



WARNING



POTENTIAL HAZARD

Attempting wheelies, jumps and other stunts.

WHAT CAN HAPPEN

Increases the chance of an accident, including an overturn.

HOW TO AVOID THE HAZARD

Never attempt stunts, such as wheelies or jumps.

5. OPERATION WARNINGS



WARNING

POTENTIAL HAZARD

Failure to inspect the ATV before operating.

Failure to properly maintain the ATV.

WHAT CAN HAPPEN

Increases the possibility of an accident or equipment damage.

HOW TO AVOID THE HAZARD

Always inspect your ATV each time you use it to make sure the ATV is in safe operating condition.

Always follow the inspection and maintenance procedures and schedules described in the Owner's Manual.



WARNING

POTENTIAL HAZARD

Removing hands from handlebars or feet from footrests during operation.

WHAT CAN HAPPEN

Removing even one hand or foot can reduce your ability to control the ATV or could cause you to lose your balance and fall off the ATV. If you remove a foot from the footrest, your foot or leg may come into contact with the rear wheels. Which could injure you or cause an accident.

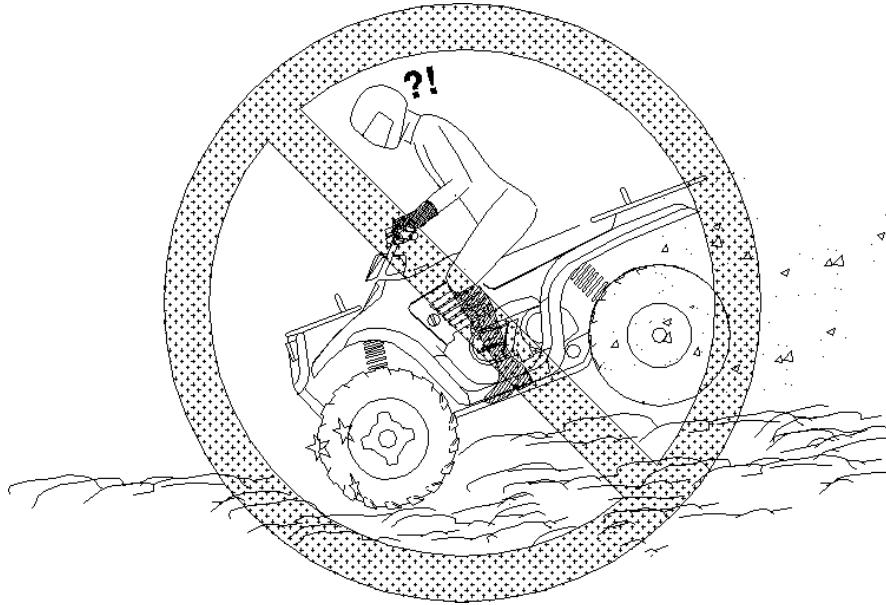
HOW TO AVOID THE HAZARD

Always keep both hands on the handlebars and both feet on the footrests of your ATV during operation.

5. OPERATION WARNINGS



WARNING



POTENTIAL HAZARD

Failure to use extra care when operating this ATV on unfamiliar terrain.

WHAT CAN HAPPEN

You can come upon hidden rocks, bumps, or holes, without enough time to react.

Could result in the ATV overturning or going out of control.

HOW TO AVOID THE HAZARD

Go slowly and be extra careful when operating on unfamiliar terrain.

Always be alert to changing terrain conditions when operating the ATV.

5. OPERATION WARNINGS



WARNING

POTENTIAL HAZARD

Failure to use extra care when operating on excessively rough, slippery or loose terrain.

WHAT CAN HAPPEN

Could cause loss of traction or vehicle control, which could result in an accident, including an overturn.

HOW TO AVOID THE HAZARD

Do not operate on excessively rough, slippery or loose terrain until you have learned and practiced the skills necessary to control the ATV on such terrain. Always be especially cautious on these kinds of terrain.



WARNING

POTENTIAL HAZARD

Climbing hills improperly.

WHAT CAN HAPPEN

Could cause loss of control or cause ATV to overturn.

HOW TO AVOID THE HAZARD

Always follow proper procedures for climbing hills as described in the Owner's Manual.

Always check the terrain carefully before you start up any hill.

Never climb hills with excessively slippery or loose surfaces.

Shift your weight forward.

Never open the throttle suddenly. The ATV could flip over backwards.

Never go over the top of any hill at high speed. An obstacle, a sharp drop, or another vehicle or person could be on the other side of the hill.

5. OPERATION WARNINGS



WARNING

POTENTIAL HAZARD

Turning improperly.

WHAT CAN HAPPEN

ATV could go out of control, causing a collision or overturn.

HOW TO AVOID THE HAZARD

Always follow proper procedures for turning as described in the Owner's Manual.

Practice turning at low speeds before attempting to turn at faster speeds.

Do not turn at excessive speed.



WARNING

POTENTIAL HAZARD

Operating on excessively steep hills.

WHAT CAN HAPPEN

The vehicle can overturn more easily on extremely steep hills than on level surfaces or small hills.

HOW TO AVOID THE HAZARD

Never operate the ATV on hills too steep for the ATV or for your abilities.

Practice on smaller hills before attempting large hills.

Never operate ATV on hills steeper than 15%.



WARNING

POTENTIAL HAZARD

Going down a hill improperly.

WHAT CAN HAPPEN

Could cause loss of control or cause ATV to overturn.

HOW TO AVOID THE HAZARD

Always follow proper procedures for going down hills as described in the Owner's Manual. NOTE: A special technique is required when braking as you go downhill.

Always check the terrain carefully before you start down any hill.

Shift your weight backward.

Never go down a hill at high speed.

Avoid going down a hill at an angle which would cause the vehicle to lean sharply to one side. Go straight down the hill where possible.

5. OPERATION WARNINGS



WARNING

POTENTIAL HAZARD

Improperly crossing hills or turning on hills.

WHAT CAN HAPPEN

Could cause loss of control or cause ATV to overturn.

HOW TO AVOID THE HAZARD

Never attempt to turn the ATV around on any hill until you have mastered the turning technique as described in the Owner's Manual on level ground. Be very careful then turning on any hill.

Avoid crossing the side of a steep hill if possible.

When crossing the side of a hill:

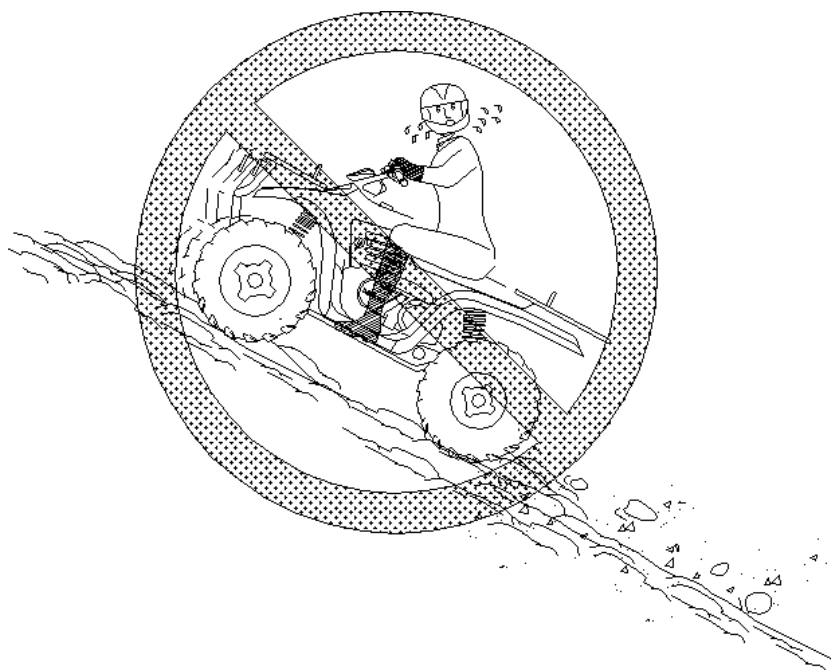
Always follow proper procedures as described in the Owner's Manual.

Avoid hills with excessively slippery or loose surfaces.

Shift your weight to the uphill side of the ATV.



WARNING



POTENTIAL HAZARD

Stalling, rolling backwards or improperly dismounting while climbing a hill.

WHAT CAN HAPPEN

Could result in ATV overturning.

HOW TO AVOID THE HAZARD

5. OPERATION WARNINGS

Maintain steady speed when climbing a hill.

If you lose all forward speed:

Keep weight uphill.

Apply the brakes.

Lock parking brake after you are stopped.

If you begin rolling backwards:

Keep weight uphill; never apply engine power.

Never apply the rear brake while rolling backwards.

Apply the single-lever brake gradually.

When fully stopped, apply rear brake as well, and then lock parking brake.

Dismount on uphill side, or to either side if pointed straight uphill.

Turn the ATV around and remount following the procedure described in the Owner's Manual.



WARNING

POTENTIAL HAZARD

Improperly operating over obstacles.

WHAT CAN HAPPEN

Could cause loss of control or a collision. Could cause the ATV to overturn.

HOW TO AVOID THE HAZARD

Before operating in a new area, check for obstacles.

Use extreme caution when riding over large obstacles, such as large rocks or fallen trees.

If you cannot avoid obstacles, always follow proper procedures as described in the Owner's Manual.



WARNING

POTENTIAL HAZARD

Skidding or sliding,

WHAT CAN HAPPEN

You may lose control of the ATV.

You may also regain traction unexpectedly, which may cause the ATV to overturn.

HOW TO AVOID THE HAZARD

On slippery surfaces, such as ice, go slowly and be very cautious in order to reduce the chance of skidding or sliding out of control.

5. OPERATION WARNINGS



WARNING

POTENTIAL HAZARD

Operating this ATV through deep or fast flowing water.

WHAT CAN HAPPEN

Tires may float, causing loss of traction and loss of control, which could lead to an accident.

HOW TO AVOID THE HAZARD

Never operating the ATV through water which exceeds the recommended maximum depth in this manual.

Avoid operating the ATV through deep or fast flowing water. If you cannot avoid water, go slowly, balance your weight carefully avoiding sudden movement, maintain a slow and steady forward motion, do not make sudden turns or stops, and do not make sudden throttle changes.

Remember that wet brakes may have reduced stopping ability.

Test your brakes after leaving water. If necessary, apply them several times to let friction dry out the pads.



WARNING

POTENTIAL HAZARD

Improperly operating in reverse,

WHAT CAN HAPPEN

You could hit an obstacle or person behind you, resulting in severe injury.

HOW TO AVOID THE HAZARD

When you select reverse gear, make sure there are no obstacles or people behind you. When it is safe to proceed, go slowly.



WARNING

POTENTIAL HAZARD

Operating this ATV with improper tires, or with improper or uneven tire pressure.

WHAT CAN HAPPEN

Use of improper tires on this ATV, or operation of this ATV with improper or uneven tier pressure, may cause loss of control, and increases the risk of an accident.

HOW TO AVOID THE HAZARD

Always use the size and type ties specified in the Owner's Manual for this vehicle. Always maintain proper tire pressure a described in the Owner's Manual.

5. OPERATION WARNINGS



WARNING

POTENTIAL HAZARD

Operating this ATV with improper modifications.

WHAT CAN HAPPEN

Improper installation of accessories or modification of this vehicle may cause changes in handling which in some situations could lead to an accident.

HOW TO AVOID THE HAZARD

Never modify this ATV through improper installation or use of accessories. All parts and accessories added to this vehicle should be genuine or equivalent components designed for use on this ATV; and should be installed and used according to instructions. If you have questions, consult an authorized dealer.



WARNING

POTENTIAL HAZARD

Overloading this ATV or carrying or towing cargo improperly.

WHAT CAN HAPPEN

Could cause changes in vehicle handling which could lead to an accident.

HOW TO AVOID THE HAZARD

Never exceed the stated load capacity for this ATV,
 Cargo should be properly distributed and securely attached,
 Reduce speed when carrying cargo or pulling a trailer.
 Allow greater distance for braking.
 Always follow the instructions in the Owner's Manual for carrying cargo or pulling a trailer.



WARNING

POTENTIAL HAZARD

Riding on frozen lakes and rivers.

WHAT CAN HAPPEN

Severe injury or death can result if the ATV and /or the operator break through the ice.

HOW TO AVOID THE HAZARD

Never ride you ATV on a frozen body of water before you are sure the ice is thick enough and sound enough to support the machine and its operator, as well as the force that is created by a moving vehicle.

5. OPERATION WARNINGS



WARNING

After a rollover or an accident, have a qualified service dealer check the complete machine including, but not limited to, brakes, throttle and steering for possible damage.



WARNING

Safe operation of this rider active vehicle requires good judgment and physical skills. Persons with cognitive or physical disabilities who operate this vehicle have an increased risk of overturns and loss of control which could result in severe injury or death.



CAUTION

Keep combustible materials away from exhaust system. Fire may result.

Attention:

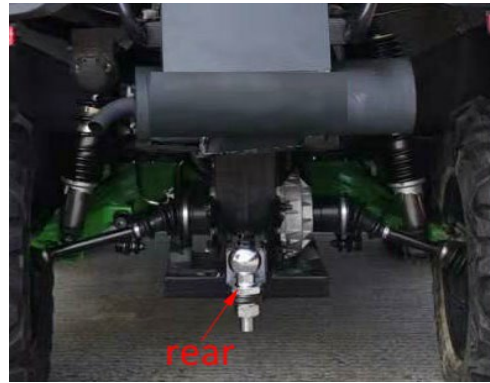
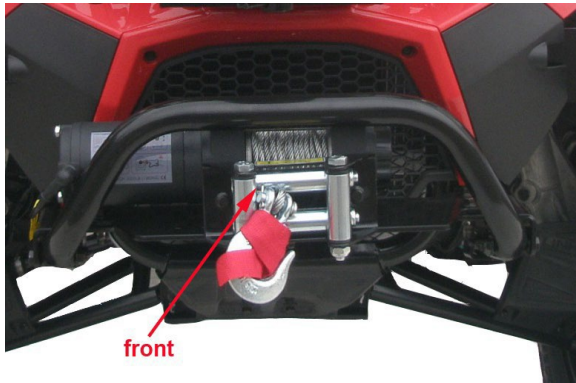
There is a risk of fire from driving the vehicle on the ground where grass has dried up or parking the vehicle on such surface when the engine is hot.

5. OPERATION WARNINGS



WARNING

TOW HITCH



Cautions when installing the implement or dragging the ATV

1. When installing the dragging implement trailer, the engine should stop and the ATV should park at the safety position. Please read implement's or trailer's installing instructions, signs and operating manuals carefully before changing.
2. The operation should be carried out according to the operating manual. Before finishing installing the dragging implement or trailer, it is forbidden to operate the tractor which is installed implement or connected trailer.
3. When connecting the dragging implement or trailer to ATV, it may cause personal injury if the person is lack of necessary experience. So the professional should be invited when necessary.
4. The implement should have fallen to ground before people leaving the ATV.
5. People should keep away from the areas between ATV and trailer when ATV is working with trailer.

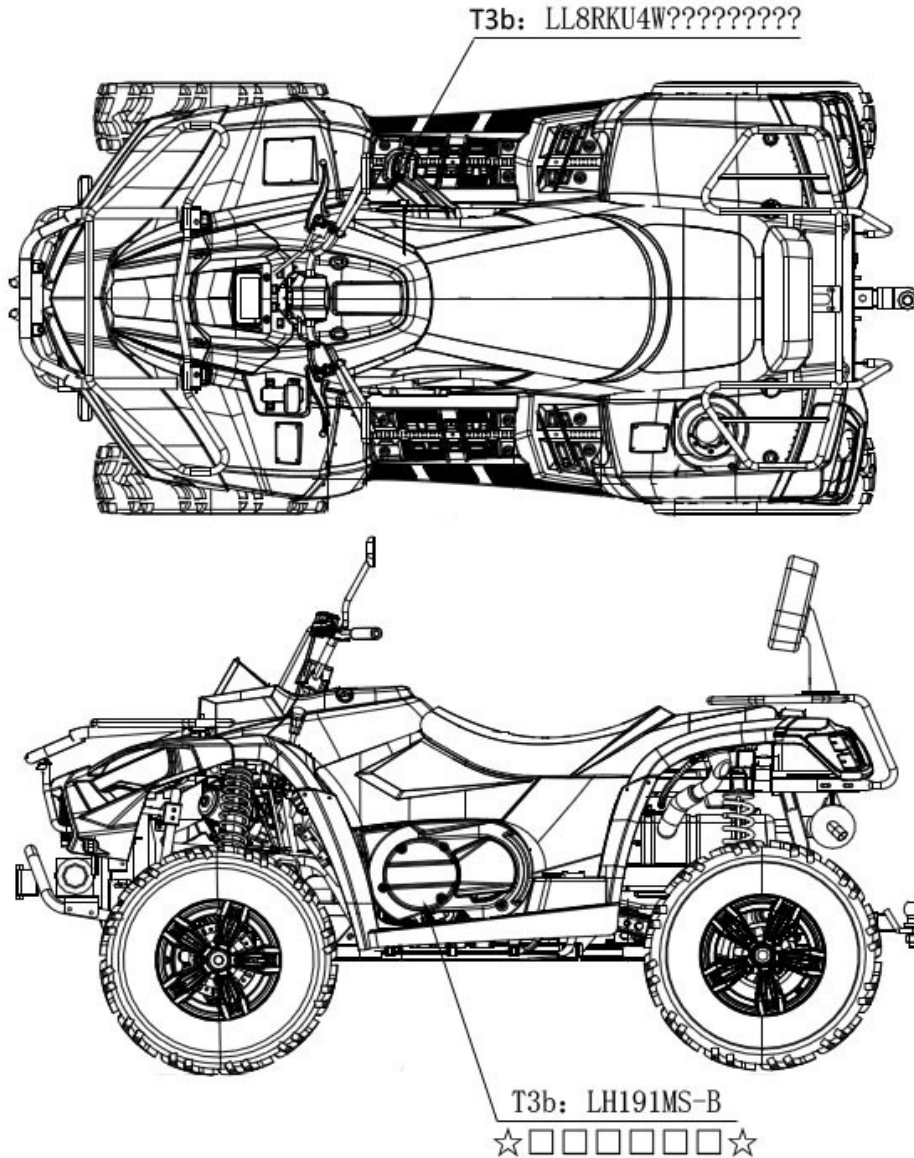
Front loader and/or backhoe cannot be attached.

This ATV is not applicable to "forestry application" and "work with crop sprayers".

DANGER

This ATV is designed not to use front mounted implements such as a front loader, front dozer. Do not operate the ATV with such front mounted implements.

6. V.I.N



Record these numbers from your ATV in the spaces provided.

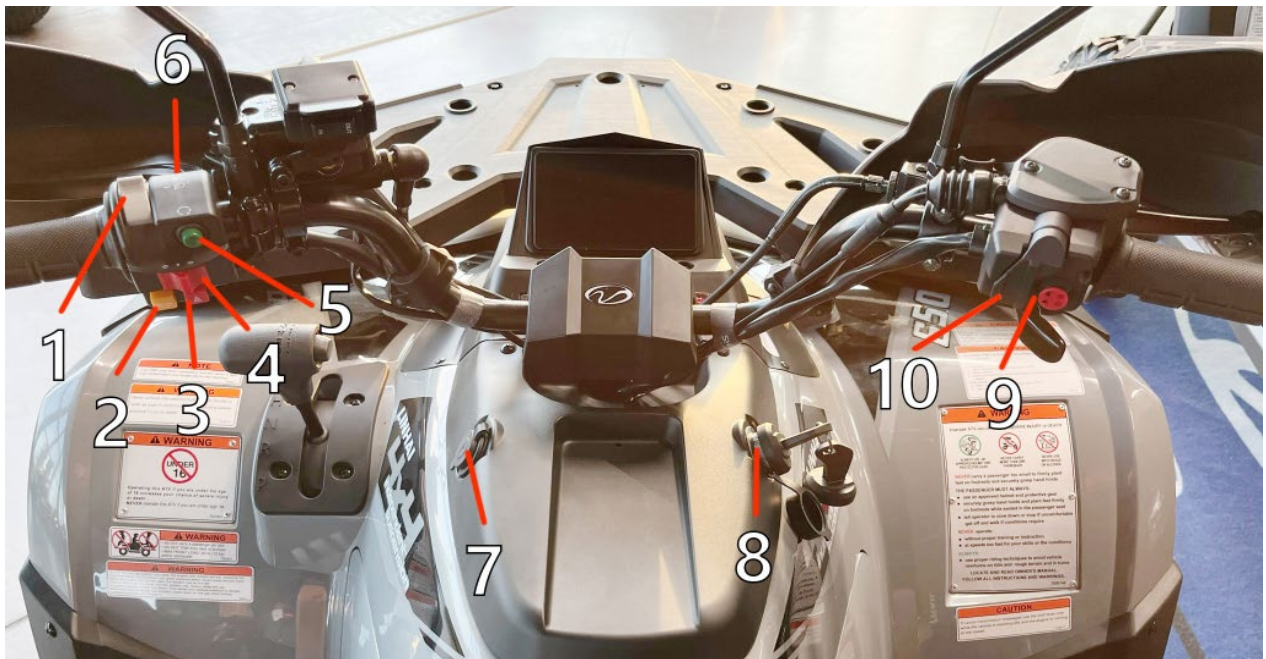
1. Frame VIN (on the lower right side of the frame tube)
2. Engine Serial Number (Left rear side of engine crankcase)

Remove the spare key and store it on a safe place. Your key can be duplicated only by obtaining a key blank and having it cut by matching it with your existing key.

Record Key Number

The vehicle frame and engine serial numbers are important for model identification when registering your vehicle, obtaining insurance or whenever replacement parts are needed. In the event your vehicle were stolen, these numbers are essential to the recovery and identification of your ATV.

7. CONTROLS AND FUNCTIONS



- | | |
|--------------------------------|---|
| 1. Light switch | 6. Overdrive button (in the front) |
| 2. Horn | 7. USB port |
| 3. Hazard warning light switch | 8. Main ignition switch |
| 4. Turn signals | 9. 2WD/4WD drive select |
| 5. Engine start button | 10. Front differential lock (under the cover) |

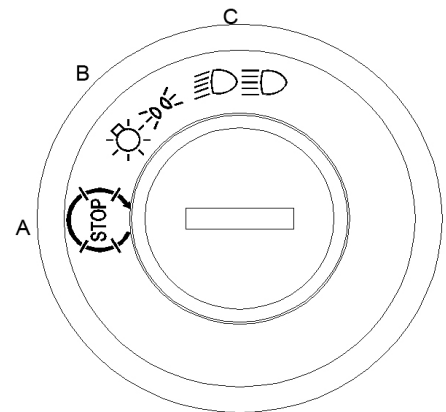
Insert the key into the Main ignition switch

Positions:

“OFF”: Turn the key to this position to stop the engine, switch off all the electrical circuits and remove the key.

“ON”: In this position, the electrical systems are On, the engine can be started and key cannot be removed.

“HEAD LIGHT”: In this position, the head light will be on.



A. “OFF” B. “ON” C. HEADLIGHT

WARNING

Never turn the key to “OFF” position when the ATV is in motion. Otherwise the electrical system is shut off, which is likely to result in losing control or having an accident. Always make sure that the ATV is stopped before turning the key to “OFF” position.

7. CONTROLS AND FUNCTIONS

TFT Screen



- | | |
|----------------------------|----------------------------|
| 1. Left turn indicator | 9. 2WD/4WD |
| 2. Oil alarm lamp | 10. Rear differential lock |
| 3. Brake failure indicator | 11. Working hours |
| 4. High beam indicator | 12. Engine rpm |
| 5. EFI indicator | 13. Tachometer |
| 6. Right turn indicator | 14. Coolant temperature |
| 7. Gear position | 15. Fuel level |
| 8. Front differential lock | 16. ODO/Trip |

7. CONTROLS AND FUNCTIONS



A: Select key **B:** Confirm key

In the Main Menu, long press Key B for 3 seconds to enter Next level menu, and short press Key A to choose options, then short press Key B to confirm options, press the confirm Key for 3 seconds to exit the current menu, until return to the first level menu, then short press Key A to choose “Back option”, short press Key B to return to the Main Menu.

Note: Speed units are bound with mileage (ODO/Trip) units.

When the speed unit is km/h, the mileage (ODO/Trip) unit is km. When the speed unit is mph, the mileage (ODO/Trip) unit is mile. When switching to menu Trip, long press Key B to clear the Trip.

7. CONTROLS AND FUNCTIONS

Menu Schema

	First level menu	Second level menu	Third level menu
Main Menu	Brightness	Manual	Level 1-5
		Auto	On/Off
	Time	Time setting	
		Date Setting	
	Mileage	ODO	
		Trip	
	Units	km/h	
		Mph	
	Version	Software version	
	Language	English	
		Chinese	
	Back		

When entering the first level menu, short press Key A to select the options (taking brightness adjustment as an example), then short press Key B to enter the second level menu, short press Key A again to select manual or auto, short press Key B to enter the third level menu and confirm . Finally, press Key B for 3 seconds to exit the current level menu, until return to the first level menu, then short press Key A to choose “Back option”, short press Key B to return to the Main Menu.

Reminder: When selecting Trip, if you want to return to the Main Menu, you must press Key A first to go back to ODO and then long press Key B to exit.

7. CONTROLS AND FUNCTIONS

Throttle



WARNING

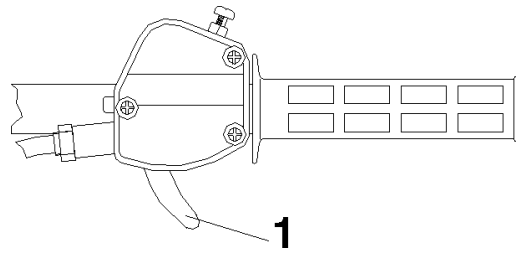
Do not start or operate an ATV with sticking or improperly operating throttle control. A stuck or improperly operating throttle could cause an accident resulting in severe injury or death. Always contact your dealer for service repairs whenever throttle problems arise.

Failure to check or maintain proper operation of the throttle system can result in the throttle lever sticking during riding and cause an accident.

Always check the lever for free movement and return before starting the engine and occasionally during riding.

Throttle Lever

Engine speed and vehicle movement are controlled by pressing the throttle lever. The throttle lever (1)



is spring loaded and engine speed returns to idle when the lever is released.



WARNING

Washing or operating the scooter in freezing temperatures can result in water freezing in the throttle cable conduit and/or on the throttle mechanism.

This may result in the throttle sticking which can cause the engine to continue to run and result in loss of control.

Front and Rear Brakes

The brake fluid level should be checked before each ride. The reservoir of hand brake is located on the left side of the handlebar. The reservoir of foot brake is located under the seat. The fluid should be kept between the maximum and minimum marks.



CAUTION

Once a bottle of brake fluid is opened, use what is necessary and discard the rest. Do not store or use a partial bottle of brake fluid. Brake fluid is hygroscopic, meaning it rapidly absorbs moisture from the air. This causes the boiling temperature of the brake fluid to drop, which can lead to early brake fade and the possibility of severe injury.

7. CONTROLS AND FUNCTIONS

Front and Rear Brakes

The front and rear brakes are located on the inside of the right floor board and are operated by the right foot. The front and rear brakes are hydraulically activated disc type brakes which are activated by one pedal only.

Always test brake pedal travel and reservoir fluid level before riding. When squeezed, the pedal should feel firm. Any sponginess would indicate a possible fluid leak or low master cylinder fluid pedal which must be corrected before riding. Contact your dealer for proper diagnosis and repairs.

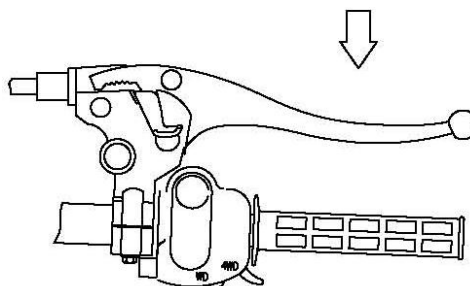


WARNING

Never operate the ATV with a spongy feeling brake pedal. Operating the ATV with a spongy brake pedal can result in loss of braking. Loss of braking could cause an accident.

Setting the Parking Brake

1. Squeeze the right hand brake lever 2-3 times and hold it.
2. Push the park brake lock into the notches on the lever body. Release the brake lever.



Important safeguards

- The parking brake may relax when left on for a long period of time. This could cause an accident.
- **Do not leave the vehicle on a hill depending on the parking brake for more than five minutes.**
- Always block the downhill side of the wheels if leaving the ATV on a hill or park the ATV in a side hill position.

7. CONTROLS AND FUNCTIONS



WARNING

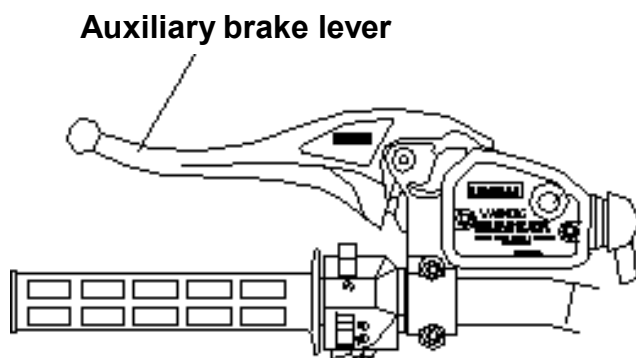
Always check to be sure that the parking brake has been disengaged before operating the ATV. An accident could result causing severe injury if the parking brake is left on while the ATV is operated.

Auxiliary Brake



WARNING

Use caution when applying the auxiliary brake. Do not aggressively apply the auxiliary brake when going forward or the rear wheels may skid and slide sideways causing loss of control.

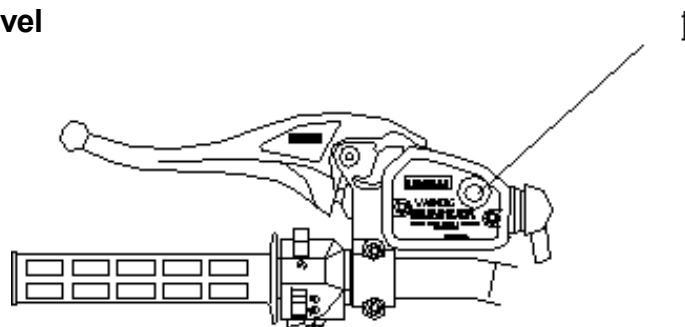


Your ATV has an auxiliary brake provided brake as a safety feature. It is located on the left handlebar and is operated by the left hand. It is intended as a backup to the main brake system, especially if the main system becomes inoperative.

If the rear wheels slide, apply the rear brake with the left hand to some extent. Aggressively applying the rear brake when backing down a hill may cause rear tip over.

7. CONTROLS AND FUNCTIONS

Brake Fluid Level

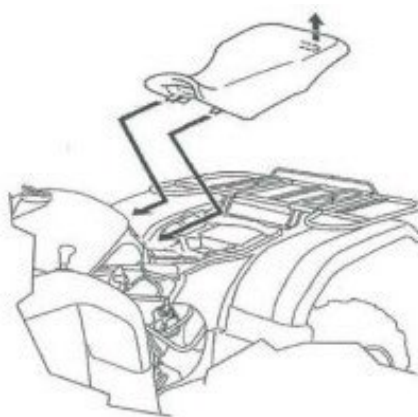


1. Top window

The brake fluid in the master cylinder, which is located on the left handlebar, should be checked before each ride. There is an indicator window (1) on the top of the master cylinder. This window will appear dark when the fluid level is full. When fluid needs to be added, the window will be clear. NOTE: When checking the fluid level, the ATV must be on level ground and the handlebars must be straight. If the fluid level is low add DOT 4 only.

On some models, there is a "Side window", the fluid level can be seen through it, and should be maintained between the indicated "Max" and "Min" marks on the reservoir.

Operator's Seat



CAUTION

To avoid personal injury:

1. Make sure that the seat is completely secured.
2. Do not allow any person other than the driver to ride on the tractor.

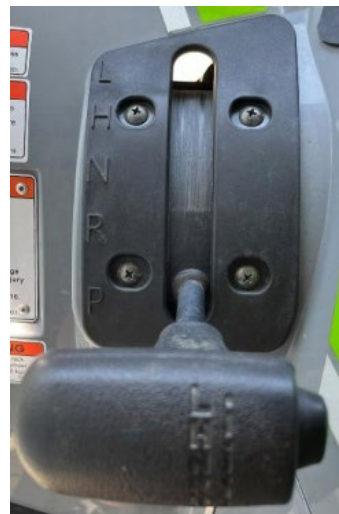
7. CONTROLS AND FUNCTIONS

Automatic Transmission Gear Selector Operation

The transmission gear selector is located on the left side of the vehicle.

The selector lever has 5 positions:

- L** - Low Forward;
- H** - High Forward;
- N** - Neutral;
- R** - Reverse;
- P** - Parking



NOTE:

To extend belt life, use low forward gear in heavy pulling situations and in situations when you are operating below 11 km/h for extended periods of time.



CAUTION

To change gears, stop the vehicle and with the engine idling, move the lever to the desired gear. Shifting gears with the engine speed above idle or while the vehicle is moving could cause transmission damage.

Always place the transmission in gear with the parking brake locked whenever the vehicle is left unattended.

Maintaining shift linkage adjustment is important to assure proper transmission function. Should you experience any shifting problem, visit your dealer.



WARNING

POTENTIAL HAZARD

Engaging a lower gear when the engine speed is too high.

WHAT CAN HAPPEN

The wheels could stop rotating. This could cause loss of control, an accident and injury. It could also cause engine or drive train damage.

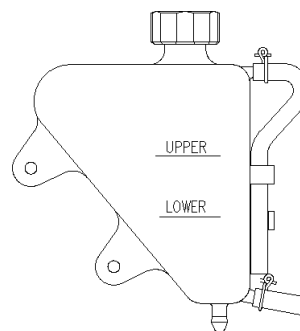
HOW TO AVOID THE HAZARD

Make certain the engine has sufficiently slowed before shifting to a lower gear.

7. CONTROLS AND FUNCTIONS

Engine Cooling System

Coolant Level



The recovery bottle, located under the seat, must be maintained between the minimum and maximum levels indicated on the recovery bottle.

The engine coolant level is controlled or maintained by the recovery system. The recovery system components are the recovery bottle, radiator filler neck, radiator pressure cap and connecting hose.

As coolant operating temperature increases, the expanding (heated) excess coolant is forced out of the radiator past the pressure cap and into the recovery bottle. As engine coolant temperature decreases, the contracting (cooled) coolant is drawn back up from the tank past the pressure cap and into the radiator.

NOTE: Some coolant level drop on new machine is normal as the system is purging itself of trapped air. Observe coolant level and maintain as recommended by adding coolant to the recovery bottle. We recommend use of a 50/50 mixture (or other, in case of special antifreeze requirements) of high quality aluminum engines-compatible anti-freeze and distilled water.

NOTE: Always follow the manufacturer's mixing recommendations for the freeze protection required in your area.

Recommended Coolant:

MAXIMA COOLANOL - premixed high quality antifreeze for aluminum engines and distilled water.

7. CONTROLS AND FUNCTIONS

Cooling System

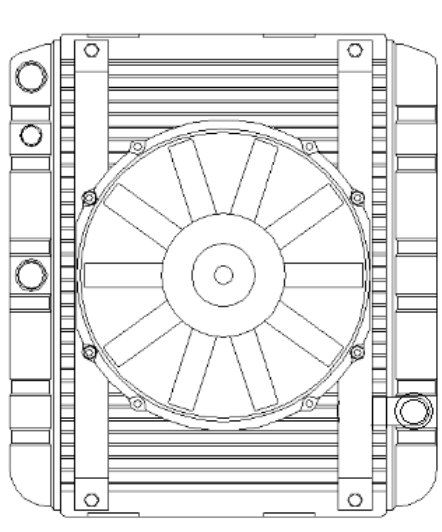


WARNING

Never remove the pressure cap when the engine is warm or hot. Escaping steam can cause severe burns. The engine must be cool before removing the pressure cap.

Radiator Coolant Level Inspection

NOTE: This procedure is only required if the cooling system has been drained for maintenance and/or repair. However, if the recovery bottle has run dry, the level in the radiator should be inspected and coolant added if necessary



NOTE: Use of a non-standard pressure cap will not allow the recovery system to function properly. If the cap should need replacement contact your dealer for the correct replacement part. To insure that the coolant maintains its ability to protect the engine, it is recommended that the system be completely drained every two years and a fresh mixture of antifreeze and water be added.

Using a funnel, slowly add coolant as necessary through the radiator filler neck.

7. CONTROLS AND FUNCTIONS

Fuel and Oil system



WARNING

Gasoline is highly flammable and explosive under certain conditions.

- Always exercise extreme caution whenever handling gasoline.
- Always refuel with the engine stopped and outdoors or in a well ventilated area.
- Do not over smoke or allow open flames or sparks in or near the area where refueling is performed or where gasoline is stored.
- Do not over fill the tank. Do not fill the tank neck.
- If you get gasoline on your skin or clothing, immediately wash it off with soap and water and change clothing.
- Never start the engine or let it run in an enclosed area. Gasoline powered engine exhaust fumes are poisonous and can cause loss of consciousness and death in a short time.
- Shut off fuel valve whenever the ATV is stored or parked.



WARNING

The engine exhaust from this product contains chemicals known, in certain quantities, to cause cancer, birth defects or other reproductive harm.

Fuel filter

The filter should be replaced by your dealer every 100 hours of operation or annually. Do not attempt to clean the fuel filter.

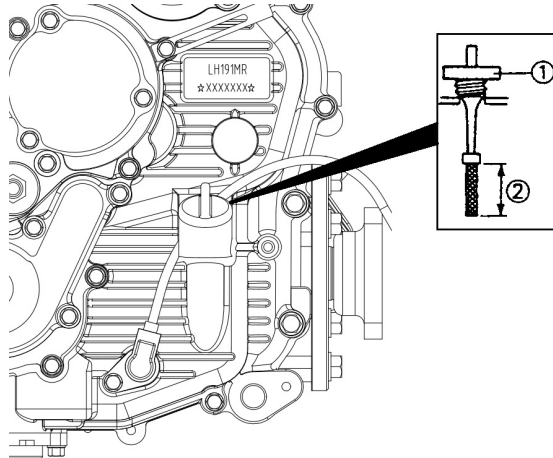
7. CONTROLS AND FUNCTIONS

Oil System

The oil tank is located on the right side of the engine.

To check the oil:

1. Park machine on a level surface.
2. Start the engine and let it idle for 20-30 seconds.
3. Stop the engine, remove oil dipstick (1) and wipe it dry with a clean cloth.
4. Put dipstick into the hole (don't screw in it), remove it and read the oil level.
5. Remove dipstick and check if the oil level is between the full and add marks (2). Add oil as indicated by the level on the dipstick. Do not overfill.



CAUTION

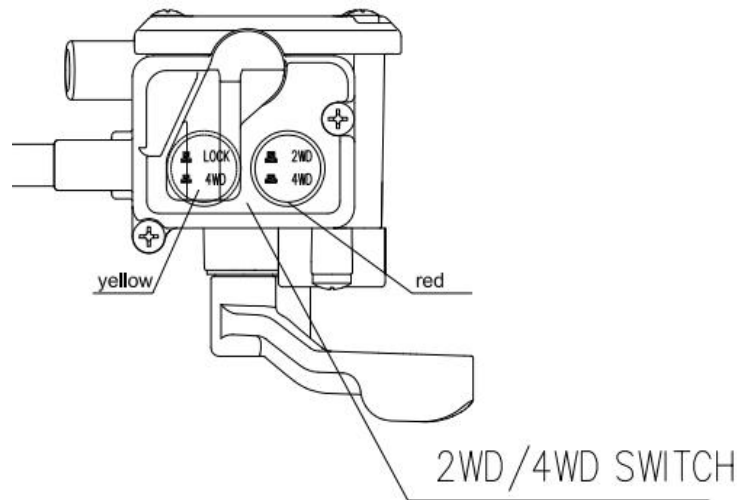
Use only SAE10W-40 SL oil. Never substitute or mix oil brands. Serious engine damage and voiding of warranty can result.

Recommended engine oil:

All-season synthetic motor oil **MAXIMA ATV PREMIUM 4T 10W40.**

7. CONTROLS AND FUNCTIONS

4Wheel Drive / Diff Lock System



CAUTION

Always shift as the vehicle stops.

NOTE:

When shift 2WD/ 4WD or Diff Lock, the mechanics in the front gearbox maybe still be engaged or disengaged, the mechanics would finally disengage / engage when riding on a hard surface or in reverse.



CAUTION

Do not switch to 4WD if the rear wheels are spinning. This may cause severe machine damage. When switch on 4WD, the button will stay in 4WD position but 4WD mechanics maybe still disengaged. Always apply throttle gently and let the wheels move slightly to allow the 4WD mechanics engage. The 4WD indicator lamp on the display will come on when 4WD is engaged.



WARNING

Extreme heavy steering is a symptom of malfunction of front differential. Loss of control can result, even in 2WD position. If you experience any symptoms from the steering, take your ATV to the dealer for inspection and service.

NOTE:

Steering effort is increased but remains balanced from left to right.

7. CONTROLS AND FUNCTIONS



WARNING

Asymmetrical heavy steering is a symptom of malfunction of one side inner or outer CV joints, loss of control could result, even in 2WD position. If you experience any symptoms from the steering, take the ATV to your dealer for inspection and service.



WARNING

You must inspect your ATV each time before riding to ensure it is in proper working order. If proper inspection is not done, severe injury or death could result.

Pre-ride check

You can tell whether there is a malfunction on one side of the CV joints by pulling the handlebar to one side or riding the ATV at low speed. Steering remains balanced from left to right in 2WD and 4WD positions.

8. STARTING THE ENGINE

Procedure for starting a cold engine



WARNING

Never run an engine in an enclosed area. Carbon monoxide in the exhaust gas is poisonous and can cause severe injury or even death. Always start engines outdoors.



CAUTION

You must allow your vehicle adequate warm up time before operating or engine damage could result.

1. Place the transmission in neutral and reset the parking brake.
2. Sit on the vehicle.
3. Turn the engine stop switch to RUN.
4. Turn the ignition key to ON, apply the brake and press the starter button.
5. Press the starter button for a maximum of 5 seconds, releasing the button when the engine starts. If engine does not start, release the starter button for another 5 seconds. Repeat this procedure until engine starts.

9. BREAK-IN PERIOD

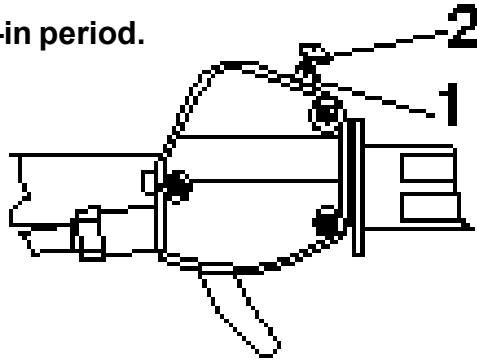
The break-in period of your new ATV is the **FIRST 20 HOURS OR 300 KM OF OPERATION, WHICHEVER COMES FIRST**. No single action on your part is as important as a proper break-in period. Careful treatment of new engine will result in more efficient performance and longer life for the engine. Perform the following procedures carefully.



CAUTION

Do not operate at full throttle or high speeds for extended periods during the break-in period. Excessive heat can build up and cause damage to close fitted engine parts.

Set a limit to half throttle during the break-in period.



1. Locknut 2.Adjuster

1. Fill the fuel tank.
2. Check oil reservoir level indicated on dipstick. Add oil if necessary.
3. Drive slowly at first. Select an area which is open and will give you room to familiarize yourself with vehicle operation and handling.
4. Vary the throttle positions. Do not operate at sustained idle.
5. Perform regular checks on fluid levels, controls and all important areas on the vehicle as outlined earlier on the daily pre-ride inspection checklist in chapter "4. Daily Pre-Ride Inspection".
6. Don't pull any loads.
7. Break-in oil and filter change at 20 hours or 300 km.

10. RIDING GEAR

Safe Riding Gear

Always wear clothing suitable to the type of riding you are doing. ATV riding requires special protective clothing which will make you feel more comfortable and reduce chances of injury.

1. Helmet

Your helmet is the most important piece of protective gear for safe riding. A helmet can prevent a severe head injury.

Select an approved helmet.

2. Eye Protection

Pair of goggles or helmet face shield offer the best protection for your eyes.

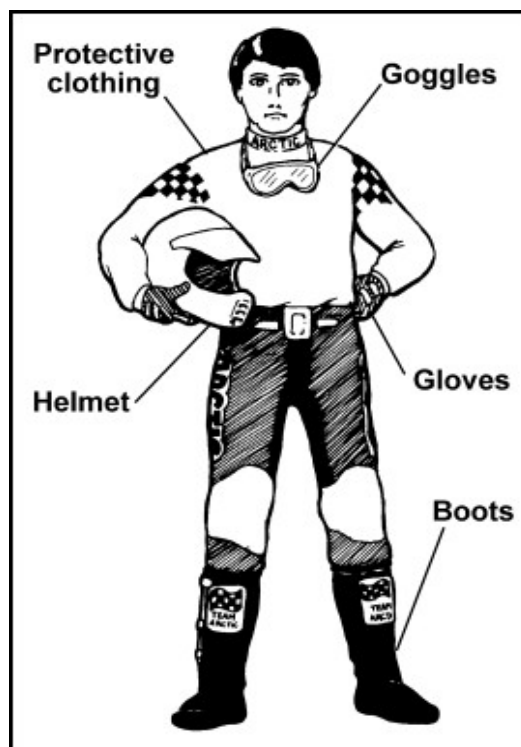
3. Gloves (off-road style)

4. Boots

A pair of strong over the calf type boots with heels, such as moto-cross boots.

5. Clothing

To protect your body, long sleeves and pants should always be worn. Riding pants with kneepads, a jersey and shoulder pads provide the best protection.



11. CARRYING LOADS

Your ATV has been designed to carry a certain amount of load. CARGO WEIGHT should be evenly distributed (1/3 on the front and 2/3 on the rear) and mounted as low as possible. When operating over rough or hilly terrain, reduce speed and cargo to maintain stable driving conditions. Never exceed the weights specified in your Owner's Manual.

Maximum trailer weight: 208 kg on level ground.

Maximum vertical hitch weight: 10 kg.

Improper loading of the front rack can obstruct the headlight beam, reducing night visibility. Do not obstruct the headlight beam with cargo.

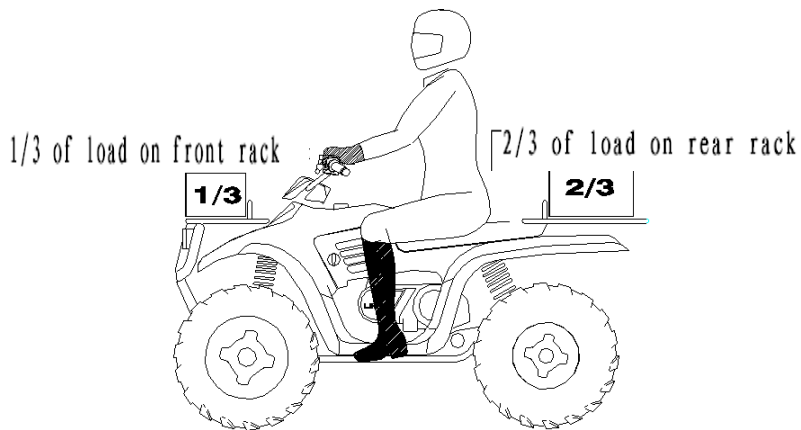
Use of Low gear is highly recommended when pulling heavy loads to extend belt life.



WARNING

Correct loading of this vehicle is necessary to maintain proper stability and operating characteristics. Overloading or incorrect positioning of the load affects the vehicle's turning, stopping distance and stability. Failure to follow loading requirements could cause severe injury or death.

11. CARRYING LOADS



Important Safeguards

To reduce risk of injury or machine damage when carrying loads, read and follow the warnings listed below:

- REDUCE SPEED AND ALLOW GREATER DISTANCE FOR BRAKING WHEN CARRYING CARGO.
- CARGO WEIGHT DISTRIBUTION should be 1/3 on the front rack and 2/3 on the rear rack. When operating over rough or hilly terrain, reduce speed and cargo to maintain stable driving conditions. Carrying loads on one rack only increases the possibility of vehicle tip over.
- HEAVY LOADS CAN CAUSE BRAKING AND CONTROL PROBLEMS. Use extreme caution when applying brakes with a loaded vehicle. Avoid terrain or situations which may require backing downhill.
- ALL CARGO MUST BE SECURED BEFORE MOVING VEHICLE. Unsecured loads can create unstable operating condition, which could result in loss of control of vehicle.
- LOADS MUST BE CARRIED AS LOW ON THE RACKS AS POSSIBLE. Carrying loads high on the racks raises the center of gravity of the vehicle and creates a less stable operating condition. When cargo loads are carried high on the racks, the weight of the loads must be reduced to maintain stable operating conditions.
- OPERATE ONLY WITH STABLE AND SAFELY SECURED LOADS.

11. CARRYING LOADS

Avoid handling off-centered loads which cannot be centered. Always attach the tow load to the hitch point designated for your ATV.

- **EXTREME CAUTION MUST BE USED.** Avoid operating with loads extending over the rack sides. Stability and maneuverability may be adversely affected, causing the vehicle to overturn.
- **DO NOT BLOCK THE HEADLIGHT/TAILLIGHT AND THE REFLECTORS** when carrying loads on the racks.
- **DO NOT TRAVEL FASTER THAN THE RECOMMENDED SPEEDS.** Vehicle should never exceed 16 km/h while towing a load on a level grass surface. Vehicle speed should never exceed 8 km/h when towing loads in rough terrain, while cornering, or while ascending or descending a hill.

Use a Safety Chain

- A safety chain will help control drawn machinery should it separate from the tractor drawbar.
- Use a chain with the strength rating equal to or greater than the gross weight of the towed machinery.
- Attach the chain to the tractor drawbar support or other specified anchor location. Allow only enough slack in the chain to permit turning.
- Do not use safety chain for towing.



12. RIDING



WARNING

The engine rpm limiter will work at 7500rpm, this may cause excessive fuel to build in the exhaust, and ignited by the catalyst in the muffler, MAY RESULT IN THE MUFFLERS OVERHEATING AND FIRE RISK.

Always reduce throttle when the engine reach top rpm, avoid the engine popping.



WARNING

RIDING THIS ATV WITH POOR ENGINE TUNING MAY RESULT IN THE MUFFLERS OVERHEATING AND FIRE RISK. If the motor is running roughly, stop the ATV immediately and have it serviced by the authorized dealer.



WARNING

You must inspect you ATV each time before riding to ensure it is in proper working order. If proper inspection is not done, severe injury or death could result. See“4.DAILY PRE-RIDE INSPECTION”

1. Sit upright with both feet on footrests and both hands on the handlebars.
2. After starting the engine and allowing it to warm up, shift the transmission into gear.
3. Check your surroundings and determine your path of travel.
4. Release the parking brake.
5. Slowly press the throttle lever with your right thumb to start riding. Speed is controlled by the amount of throttle opening.
6. Drive slowly, practice maneuvering and using the throttle and brakes on level surfaces.

12. RIDING

Making turns

Practice turns at low speeds

This ATV is equipped with a solid rear axle which drives both rear wheels equally at all times. This means that the wheel on the outside of the turn must travel a greater distance than the inside wheels when turning and the inside tire must slip traction slightly. To turn, steer in the direction of the turn leaning your upper body to the inside of the turn while supporting your weight on the outer footrest. This technique alters the balance of traction between the rear wheels allowing the turn to be made smoothly. The same leaning technique should be used for turning in reverse.



WARNING

Avoid turning at sharp angles in reverse as tip over and severe injury may result.

12. RIDING

Riding on slippery surfaces

Whenever riding on slippery surface such as wet trails or loose gravel, or during cold freezing weather, special attention must be paid to prevent vehicle turnover.

Always:

1. Slow down when entering slippery areas.
2. Maintain a high level of alertness, reading the trail and avoiding quick, sharp turns which can cause skids.
3. Correct a skid by turning the handlebars in the direction of the skid and shifting your body weight forward.
4. Never apply brakes during a skid. Complete loss of ATV control can result.
5. Do not operate on excessively slippery surfaces.
6. Always reduce speed and use additional caution.



WARNING

Failure to exercise care when operating the ATV on slippery surfaces can be dangerous.

Loss of tire traction and vehicle control can result in an accident, including an overturn.

12. RIDING

Riding Uphill



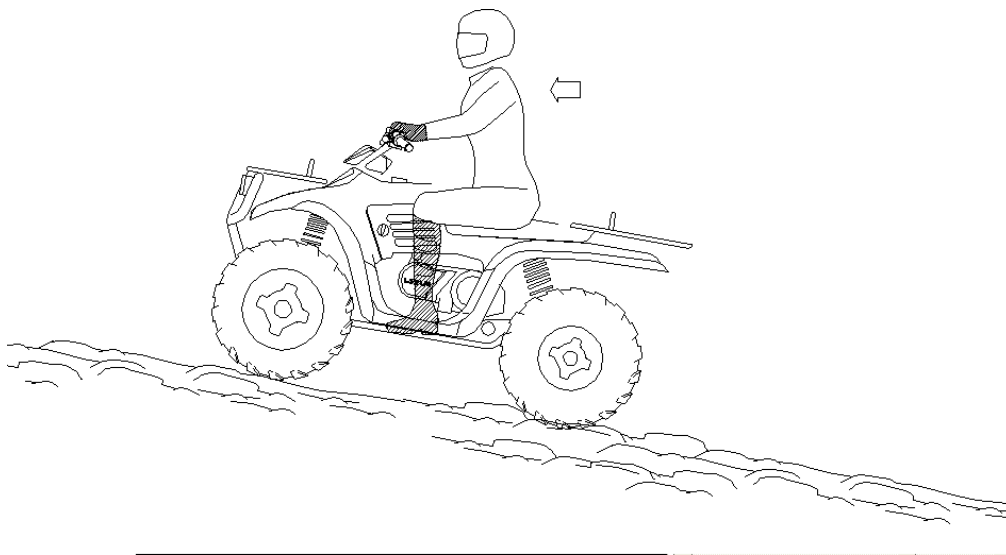
WARNING

Exercise extreme caution when traveling in hilly terrain.

Braking and handling are greatly affected. Loss of vehicle control or overturning of the ATV could cause severe injury or death.

Whenever traveling uphill, always steer straight uphill and:

1. Avoid steep hills (15% maximum).
2. Keep both feet on the footrests.
3. Transfer your weight forward.
4. Proceed at a steady rate of speed and throttle opening.
5. Remain alert and be prepared to take emergency action. This may include quick dismounting of the ATV.



12. RIDING

Sidehilling

Side hilling your ATV is one of the most dangerous types of riding and should be avoided. If you do enter into a situation where sidehilling is necessary, always:

1. Slow down.
2. Lean into the hill transferring your upper body weight toward the hill while keeping your feet on the footrests.
3. Steer slightly into the hill to maintain vehicle directions.

If vehicle begins to tip, quickly turn the front wheel downhill, if possible, or dismount on the uphill side immediately!



WARNING

Improperly crossing hills or turning on hills can be dangerous. Loss of vehicle control or overturning of the ATV could cause severe injury or death.

12. RIDING

Riding downhill.

Whenever descending a hill, always:

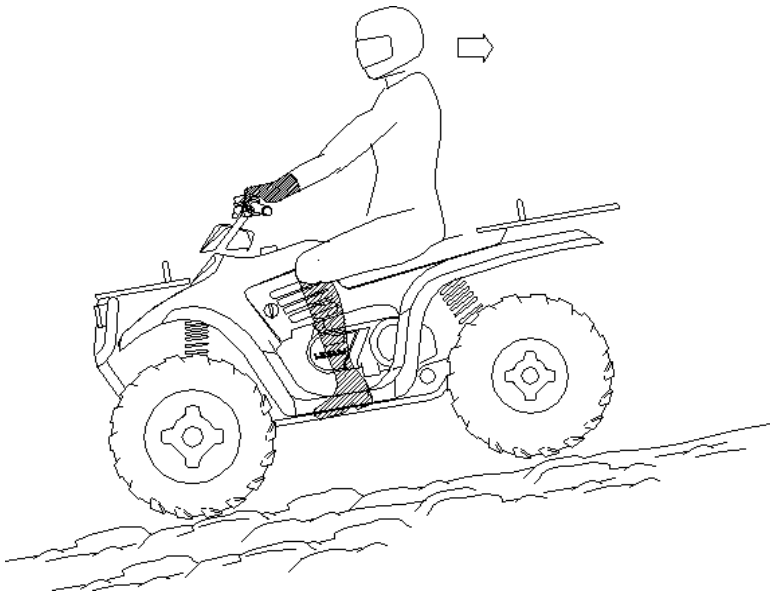
1. Drive directly downhill.
2. Transfer your weight to the rear of the vehicle.
3. Slow down.
4. Apply the brakes slightly to aid in slowing.

Familiarize yourself with the auxiliary rear brake pedal and its use in the event loss of normal service brakes occurs.



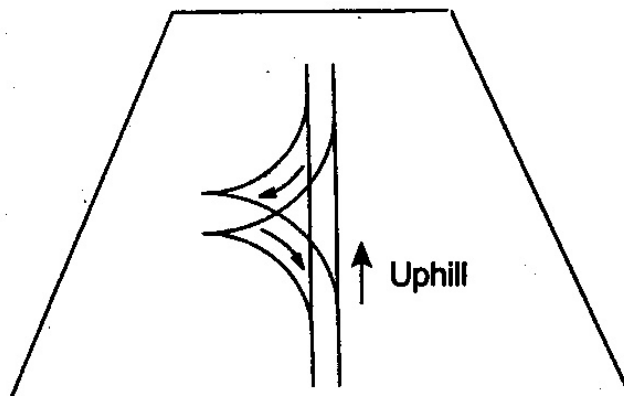
WARNING

Do not travel at excessive speeds. It is dangerous and can cause loss of vehicle control and tipping, resulting in severe injury or death.



12. RIDING

Turning Around On a Hill



If the ATV stalls while climbing a hill, never back it down the hill! One maneuver which can be used when it is necessary to turn around while climbing a hill is the K-turn.

1. Stop and lock the parking brake while maintaining body weight uphill.
2. Leave transmission in forward and shut off engine.
3. Dismount on left or uphill side of ATV.
4. Staying uphill of ATV, turn handlebars full left (while facing front of ATV).
5. While holding service brake, release parking brake lock and slowly let ATV to roll around to your right until ATV is pointing across the hill or slightly downward.
6. Lock the parking brake and remount ATV from the uphill side, maintaining body weight uphill.
7. Restart engine with transmission still in forward, release parking brake, and proceed slowly, controlling speed with the service brake, until ATV is on reasonably level ground.
- 8.



WARNING

Avoid climbing steep hills. Loss of vehicle control or overturning of the ATV could occur resulting in severe injury or death.

12. RIDING

Crossing the water

Your ATV can operate through water up to maximum recommended depths is 20 cm. Before entering the water always:

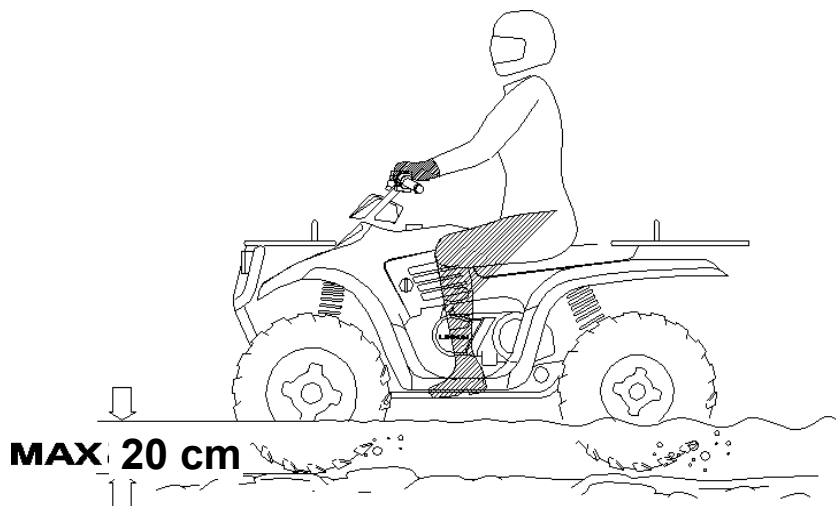
1. Determine water depths and current.
2. Choose a crossing where both banks have gradual inclines.
3. Proceed slowly, avoiding rocks and obstacles if possible.
4. After crossing the water, dry the brakes by applying light pressure to the lever until braking action is normal.



CAUTION

Never operate the ATV through deep or fast flowing water.

NOTE: After running the vehicle in water, it is critical your machine is serviced as outlined in the maintenance chart see “16. Maintenance”. The following areas need special attention: engine oil, transmission oil, rear gearcase, and all grease fittings.



12. RIDING



CAUTION

If your ATV becomes immersed, take it to your dealer before starting the engine. Major engine damage can result if the machine is not thoroughly inspected.

If it is impossible to take it to a dealer before starting, follow the steps outlined below.

- Move the ATV to dry land or at the very least, to water depth not more than 20 cm.
- Remove the spark plug.
- Turn the engine over several times with electric start.
- Dry the spark plug and reinstall or replace with a new plug.
- Attempt to start the engine. If necessary repeat the “drying” procedure.
- Take the machine to your dealer for service as soon as possible whether you succeed in starting it or not.

If water has been ingested into the CVT system, take the ATV to your dealer for service as soon as possible.

12. RIDING

Trail Obstacles

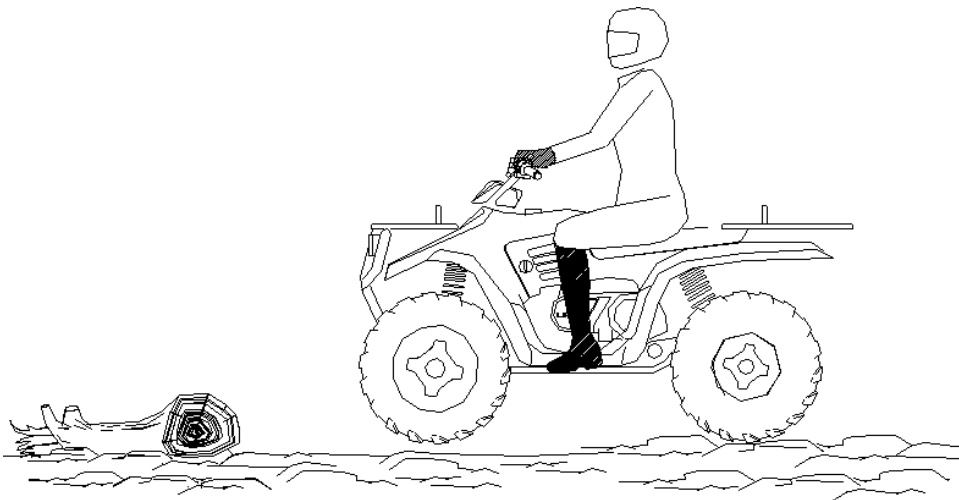
Keep Alert!

Look ahead and learn to read the trail as you ride. Stay on the right side of the trail, if possible, and be constantly alert for hazards such as logs, rocks and low hanging branches.



WARNING

Not all obstacles are visible. Travel with caution on trails severe injury or death can vehicle comes in contact with a hidden obstacle.



12. RIDING



WARNING

Backing your ATV can be dangerous!

You could hit an obstacle or person behind you; or the vehicle could tip over rearward on a steep incline causing severe injury or death.

Backing up

1. Avoid backing up on steep inclines.
2. Always back slowly.
3. When in reverse, apply the brakes lightly for stopping.
4. Avoid turning at sharp angles in reverse.
5. Never open the throttle suddenly while backing.

NOTE: This ATV is equipped with a reverse speed limiter. Do not operate at wide open throttle. Only open the throttle enough to maintain a desired speed.



CAUTION

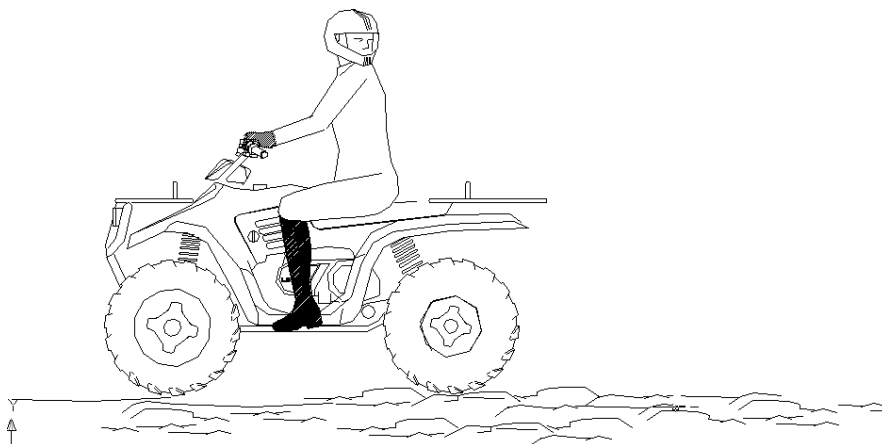
Opening the throttle more than required may cause excessive fuel to build in the exhaust, resulting in engine popping and/or engine damage.



WARNING

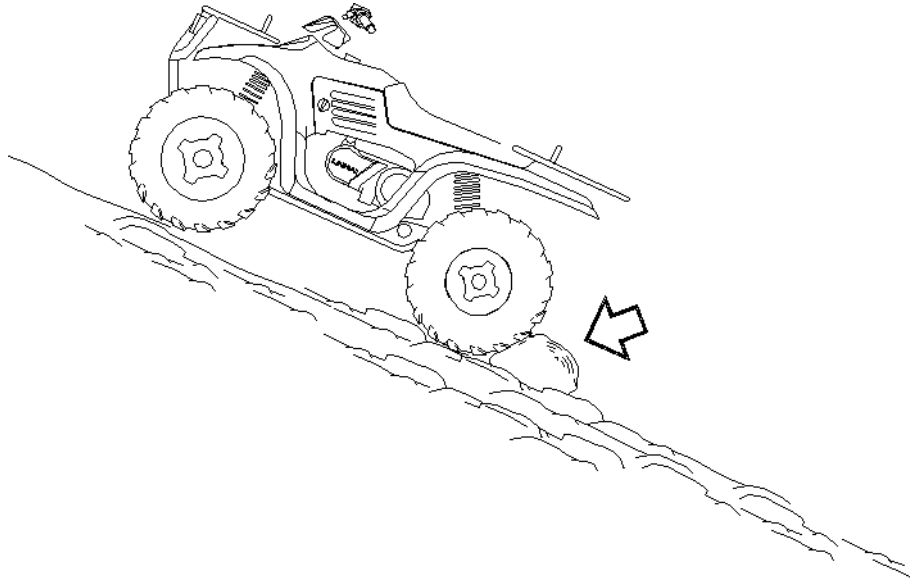
Opening the throttle more than required may cause excessive fuel to build in the exhaust, and ignited by the catalyst in the muffler, **MAY RESULT IN THE MUFFLERS OVERHEATING AND FIRE RISK.**

Never ride with engine popping more than 1 minute.



12. RIDING

Parking on an incline



Whenever the vehicle is parked

1. Turn the engine off.
2. Set the parking brake. Confirm the ATV does not move. Engage the PARK gear.
3. Avoid parking on an incline. If it is necessary to park on an incline, always block the rear wheels on the downhill side as shown above.
4. Do not leave the ATV on a hill depending on the parking brake for more than five minutes.

13. CVT SYSTEM



WARNING

The CVT system rotates at high speeds, creating large amounts of force on clutch components. However, as the owner you have the following responsibilities to make sure this system remains safe:

- Do not modify any component of the CAT system. Doing so may reduce its strength so that a failure may occur at high speeds. Any modification will cause the system to be out of balance, creating vibration and additional loads on components.
- Routine maintenance is the responsibility of the owner. Always follow recommended maintenance procedures. See your dealer!
- The CVT housing must be securely in place during operation.

Failure to comply with this warning can result in severe injury or death.

Low Range Use May Reduce CVT Temperatures

The basic operation of the CVT system depends on engine rpm and vehicle torque requirements. As engine speed increases, the force exerted on the movable drive sheave by the flyweights also increases. This in turn increases the amount of "pinch" applied to the drive belt. Similarly, if the engine speed decreases, the amount of centrifugal force decreases, reducing the amount of belt "pinch".

On this ATV, the approximate gear ratio difference between high and low range is 1:1.88. This gearing difference affects the operation of the CVT, especially at speeds lower than 11 km/h due to the system's dependence on engine speed.

By switching to low range while operating at low ground speeds, the air temperature in the clutch will be reduced. Reducing the temperature inside the clutch cover extends the life of the CVT components (belt, cover, etc.).

13. CVT SYSTEM

When To Use Low Range

The following lists provide a guideline for when to use low range rather than high.

Low Range

- Basic operation at speeds less than 11 km/h
- Heavy pulling
- Riding through rough terrain (swamps, mountains, etc.) at low ground speeds

High Range:

- Basic operation at speeds greater than 11 km/h
- High ground speeds

14. BATTERY

This ATV is equipped with a sealed "MF" battery, which requires only little maintenance. Do not add distilled water or battery electrolyte, do not open battery caps. Always keep battery terminals clean.



WARNING

Whenever removing the battery, disconnect the negative (black) cable first. When reinstalling the battery, connect the negative (black) cable last or an explosive situation could result causing serious injury or death.



WARNING

Battery electrolyte is poisonous. It contains sulfuric acid. Serious burns can result from contact with skin, eyes or clothing. Even maintenance-free batteries contain electrolyte (in gel form).

If you contact electrolyte:

External: Flush with water.

Internal: Drink large quantities of water or milk. Follow with milk of magnesia, beaten egg, or vegetable oil. Call physician immediately.

Eyes: Flush with water for 15minutes and get prompt medical attention.

Batteries produce explosive gases. Keep sparks, flame, cigarettes, etc. away.

Ventilate when charging or using in an enclosed space. Always shield eyes when working near batteries. KEEP OUT OF REACH OF CHILDREN.

14. BATTERY

Battery Removal

1. Disconnect straps holding the electrical box and battery in position and remove the battery cover.
2. Remove the battery vent tube from the battery.
3. Disconnect the black (negative) battery cable first.
4. Disconnect the red (positive) battery cable next.
5. Lift the battery out of the ATV.

Battery Installation and Connections



WARNING

To avoid the possibility of explosion, always connect battery cables in following order: Red (positive) cable first; black (negative) cable last. An exploding battery can cause serious injury or death.

Battery terminals and connections should be kept free of corrosion. If cleaning is necessary, remove corrosion with a stiff wire brush and spray the battery contacts with a contact cleaner such as **Maxima Electrical Contact/Brake Cleaner**. Then coat the terminals with dielectric grease.

1. Place the battery into its holder.
2. First connect and tighten the red (positive) cable.
3. Second connect and tighten the black (negative) cable.
4. Reinstall battery cover and attach the hold down strap.
5. Verify that cables are properly routed.

14. BATTERY

NOTE:

- When your ATV is in storage for 1 month or more, battery should be removed, fully charged and stored in a cool and dry place.
- Before reusing, take the battery to your dealer for testing and recharging. Power plug leads may need to be bent down so that battery cover can be installed.
- When installing a new battery, make certain it is fully charged prior to initial use. Using a new battery that has not been fully charged can damage the battery resulting in a shorter life of the battery. It can also hinder vehicle performance.



CAUTION

Your ATV is equipped with a 30 Ah Battery. This may not be sufficient to provide power for optional equipment. When installing optional equipment please upgrade your battery as necessary. Consult your dealer for the proper battery size.

15. EXHAUST SYSTEM

EXHAUST SYSTEM REGULATION

TAMPERING WITH NOISE CONTROL SYSTEM IS PROHIBITED!

CAUTION:

Exhaust system components are very hot during and after use of ATV.

- Do not touch exhaust system components. Serious burns can result. Be especially careful when traveling through tall grass. The potential for fire exists.

Catalyst

There is a catalyst inside the muffler on all EU models.



WARNING

The engine rpm limiter will work at 7500rpm. This may cause excessive fuel to build-up in the exhaust, and being ignited by the catalyst in the muffler **MAY RESULT IN THE MUFFLER OVERHEATING AND FIRE RISK.**

Always reduce throttle when engine reach top rpm to avoid engine popping.

16. MAINTENANCE

Periodic Maintenance Schedule



CAUTION

Due to the nature of the adjustments marked with a D in the following chart, it is recommended that such service is performed by an authorized dealer.

- More often under severe use, such as dirty or wet conditions to purge water or dirt contamination from grease fittings and other critical components.

Careful periodic maintenance will help keep your vehicle in the safest, most reliable condition. Inspection, adjustment and lubrication intervals of important components are explained in the following chart on the following pages.

Maintenance intervals are based upon average riding conditions and an average vehicle speed of approximately 16 km/h. Vehicles subjected to severe use, such as operation in wet or dusty areas, should be inspected and serviced more frequently.

Inspect, clean, lubricate, adjust or replace parts as necessary.

NOTE: Inspection may reveal the need for replacement parts. Always use genuine parts available from your dealer.

Service and adjustments are critical. If you are not familiar with safe service and adjustment procedures, have a qualified dealer perform these operations.

16. MAINTENANCE

	Item	Hours	When	Remarks
	Brake System	Pre-ride	Pre-ride	Pre-ride inspection item
	Auxiliary Brake	Pre-ride	Pre-ride	Pre-ride inspection item
	Tires	Pre-ride	Pre-ride	Inspect daily, pre-ride inspection item
	Wheels	Pre-ride	Pre-ride	Pre-ride inspection item
	Frame nuts, bolts fasteners	Pre-ride	Pre-ride	Pre-ride inspection item
●	Air Filter-Pre-Cleaner	Daily	Daily	Inspect-Clean
	Coolant/Level Inspection	Daily	Daily	Replace engine coolant Every one year
●	Air Box Sediment Tube	Daily	Daily	Drain deposits whenever visible
	Headlamp Inspection	Daily	Daily	Check operation daily; apply dielectric grease to connector when replaced
	Tail lamp inspection	Daily	Daily	Check operation daily; apply dielectric grease to socket when replaced
●	Air Filter Main Element	Weekly	Weekly	Inspect –Replace if necessary
	Battery	20 hrs	Monthly	Check/clean Terminals; check fluid level
D	Brake pad wear	10 hrs	Monthly	Inspect periodically
●	Rear Gear case Oil	100 hrs	Monthly	Check monthly and change annually
●	Front Gear case Oil (Only for 4WD)	100 hrs	Monthly	Check monthly and change annually
	Engine Cylinder Head and Cylinder Base Fasteners	25 hrs	3 months	Inspect (re-torque required at first service only)
●	General Lubrication	50 hrs	3 months	Lubricate all fittings, pivots, cables, etc.

16. MAINTENANCE

	Item	Hours	When	Remarks
●	Engine Oil-Level check /Change	30 hrs	1000 km	Check Level Daily; Break-in oil change at 20 hrs or 300 km. Change oil more often in cold weather use.
●	Oil Filter	50 hrs	6 months	Inspect-clean
	Engine breather hose	100 hrs	6 months	Inspect
D	Throttle Cable	50 hrs	6 months	Inspect –adjust, lubricate, replace if necessary; pre-ride inspection item
	Coolant strength	100 hrs	6 months	Inspect strength seasonally
	Shift linkage	50 hrs	6 months	Inspect, adjust
D	Drive belt	50 hrs	6 months	Inspect, replace if necessary
●	Steering	50 hrs	6 months	Inspect daily, lubricate
●	Front Suspension	50 hrs	6 months	Inspect-lubricate, tighten fasteners
●	Rear Suspension	50 hrs	6 months	Inspect, tighten fasteners
	Spark Plug	100 hrs	12 months	Inspect-replace if necessary
D	Fuel System	100 hrs	12 months	Check for leaks at tank cap, lines, filter .Replace lines every one year
D	Fuel Filter	100 hrs	12 months	Replace annually

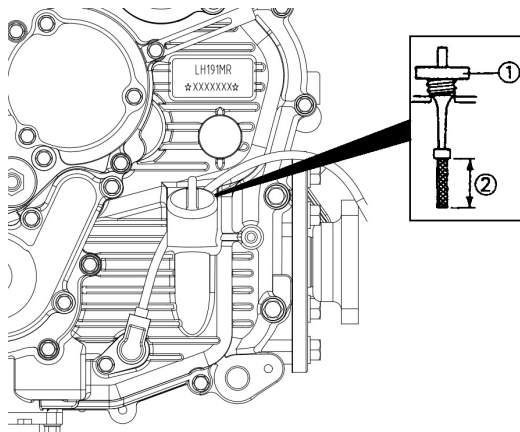
16. MAINTENANCE

	Item	Hours	When	Remove
	Radiator	100 hrs	12 months	Inspect/clean external surface
	Cooling system hoses	50 hrs	6 months	Inspect/replace if necessary
D	Clutches (drive and driven)	25 hrs	3 months	Inspect, clean
	Engine mounts	25 hrs	3 months	Inspect
D	Valve clearance	100 hrs	12 months	Inspect/adjust
D	Shift selector box (H/L/R/N)	200 hrs	24 months	Change grease every 2 years
D	Brake fluid	200 hrs	24 months	Change every two years
D	Toe adjustment	As required	As required	Periodic inspection, adjust when parts are replaced
	Headlight aim	As required	As required	Adjust if necessary

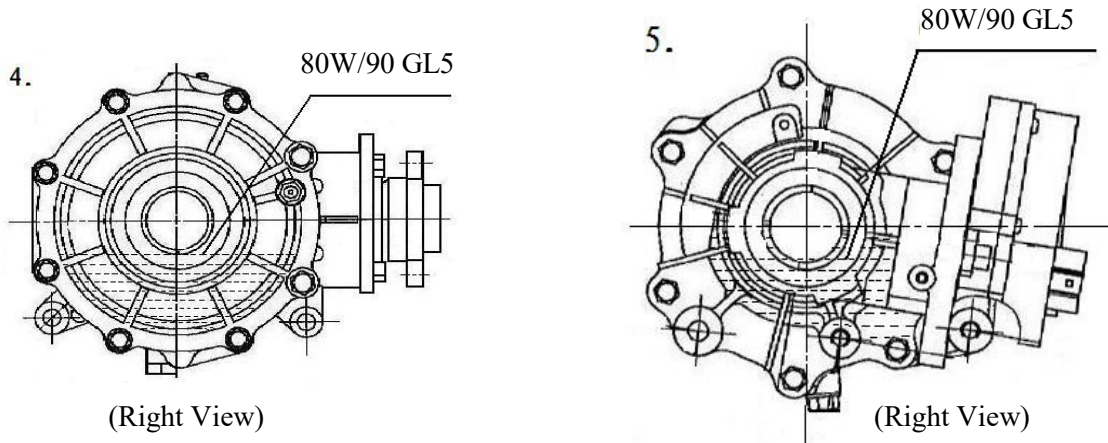
Lubrication Recommendations

	Item	Lubricant	Method	Frequency
	1. Engine Oil	10W-40 SL	Add to proper level on dipstick	Check level daily
	2. Brake Fluid	DOT 4 Only	Maintain level between fill lines. See "7. CONTROLS AND FUNCTIONS"	As require; change every two years or 200 hours
	4. Rear Gear case oil	80W/90 GL5	See "16.MAINTENANCE /Rear Gear-case Lubrication"	Change annually or at 100 hours
	5. Front Gear case oil	80W/90 GL5	See "16.MAINTENANCE /Front Gear-case Lubrication"	Change annually or at 100 hours

1.



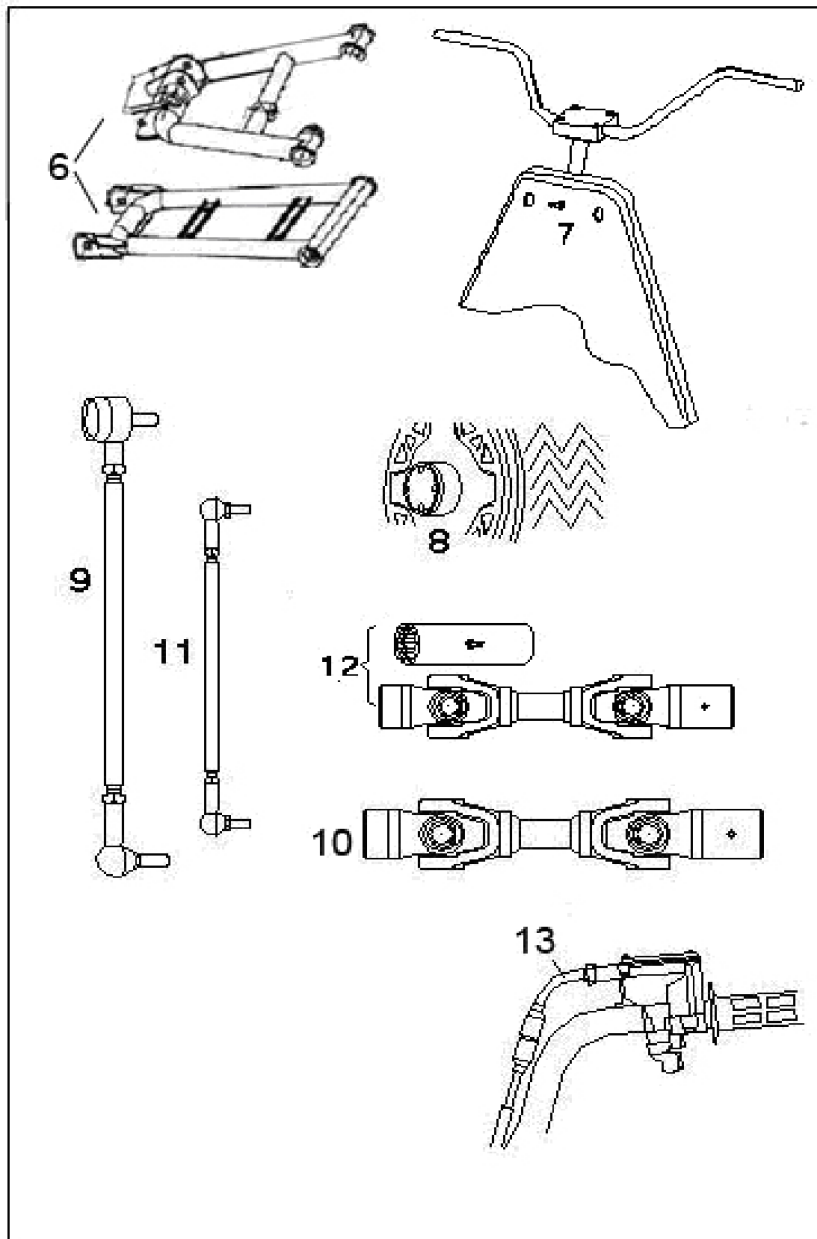
16. MAINTENANCE



Lubrication Recommendations

	Item	Lubricant	Method	Frequency
●	6.Front/Rear A-arm pivot Shaft	Grease	Locate fitting on pivot shaft and grease with grease gun	Every 3 months or 50 hours
●	7.Steering Post Bushings	Grease	Locate fitting on pivot shaft and grease with grease gun	Every 3 months or 50 hours
●	8.Front/Rear Wheel bearings	Grease	Inspect and replace bearings if necessary	Semi-annually
	9.Tie rods	Grease	Locate fittings and Grease	Semi-annually
	10.Front/Rear Prop Shaft & Shaft Yoke	Grease	Locate fittings and Grease	Semi-annually
●	11.Ball joints	Inspect	Inspect and replace it if necessary	Semi-annually
●	12.Prop Shaft & Shaft Yoke	Grease	Locate fitting and Grease	Semi-annually
●	13.Throttle Cable	Grease M	Grease, inspect and replace it if necessary	Monthly or 20 hours
●	14.Rear Axle Bearing(on swing arm model)	Grease	Locate fittings and grease	Every 3 months or 50 hours
●	15.Swing Arm Bearing(on swing arm model)	Grease	Locate fittings and grease	Monthly or 20 hours

16. MAINTENANCE



NOTES:

1. • Lubricate more often under severe use, such as in wet or dusty conditions.
2. Grease: Lightweight lithium-soap grease.
3. Grease M: Molybdenum disulfide (MoS_2) grease (water resistant).
4. * When suspension action becomes stiff or after washing.
5. Hours are based on 16 km/h average.

16. MAINTENANCE



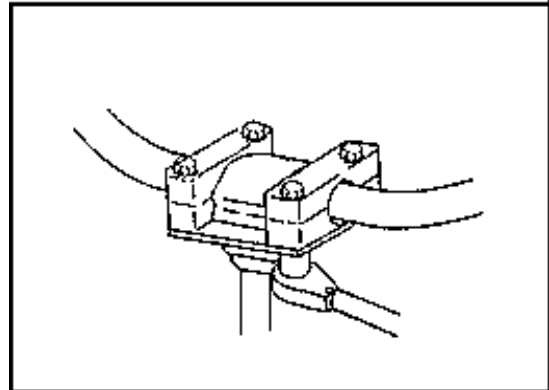
WARNING

Improper adjustment of the handlebars or incorrect torque of the adjuster block tightening bolts can cause limited steering or loosening of the handlebars, resulting in loss of control and possible serious personal injury or death.

Handlebars adjustment

Your ATV has handlebars that can be adjusted to your personal preferences.

1. Remove the handlebar cover.
2. Loosen the four bolts.
3. Adjust handlebar to desired height. Be sure handlebars do not hit gas tank or any other part of machine when turned fully to left or right.
4. Torque handlebar adjuster block to 14-16 Nm.



NOTE: Tighten bolts so there is an equal gap at the front and rear of the handlebar block. Improper gap will result in improper fit of upper pod.

The following items should be checked occasionally for tightness, or if they have been loosened for maintenance and service:

Wheel Nut Torque Specifications

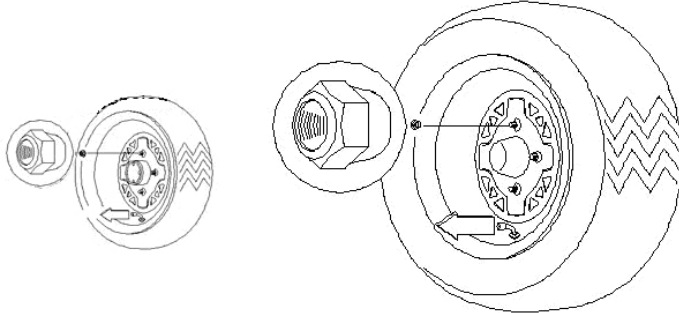
Bolt Size		Wheel Nut Torque
Front (ALUMINUM WHEELS)	M12x1.25	95 Nm
Rear (ALUMINUM WHEELS)	M12x1.25	95 Nm

NOTE: All nuts that have a cotter pin installed must be serviced by an authorized dealer only.

16. MAINTENANCE

Front Wheel Hub Tightening

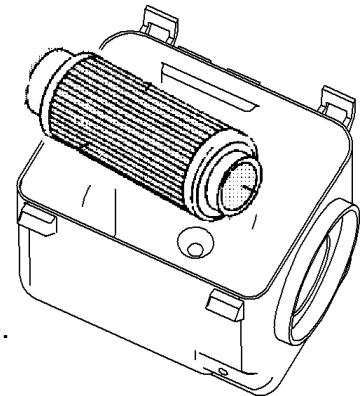
Front wheel bearing tightness and spindle nut retention are critical component operations. Service work must be performed by an authorized dealer.



Tapered nuts: install with tapered side against wheel.

Air Filter Service

1. Remove seat.
2. Release clips and remove cover.
3. Loosen the clamp and remove filter.
4. Reinstall filter. Replace filter if needed.
5. Reinstall filter into air box and tighten the clamp.
Do not over tighten clamp or filter damage may occur.



Steering Inspection

The steering assembly of the machine should be checked periodically for loose nuts and bolts. If loose nuts and bolts are found, have your dealer tighten them before riding your vehicle.

Camber and Caster

The camber and caster are non-adjustable.



WARNING

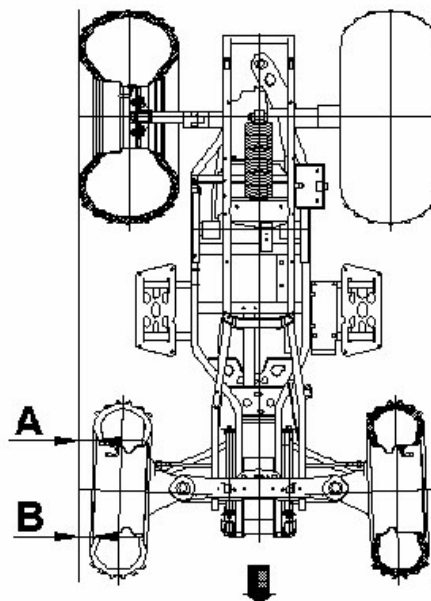
Do not attempt to adjust the tie rod for toe alignment. Severe injury or death can result from improper adjustment. Contact your dealer. They have the training and tools to make these adjustments.

16. MAINTENANCE

Toe Alignment Check

The recommended toe alignment is 3–6 mm toe out.

1. Set the handlebars in a straight position and hold them in this position.
2. Measure A and B. A minus B should be 1.5-3 mm.
3. If this measurement needs to be adjusted, contact your dealer for service.



Front Brake



WARNING

Once a bottle of brake fluid is opened, use what is necessary and discard the rest. Do not store or use a partial bottle of brake fluid. Brake fluid is hygroscopic, meaning it rapidly absorbs moisture from the air. This causes the boiling temperature of the brake fluid to drop, which can lead to early brake fade and the possibility of serious injury.

The front brake is hydraulic disc brake, operated by the foot pedal on the right floorboard. These brakes are self-adjusting and require no adjustment.

The following checks are recommended to keep the brake system in good operating condition. How often they need checking depends upon the type of driving that has been done.

- Keep fluid level in the master cylinder reservoirs as described, see “7. CONTROLS AND FUNCTIONS”. Normal functioning of the diaphragm is to extend into the reservoir as fluid level drops. If the fluid level is low and the diaphragm is not extended, a leak is indicated and the diaphragm should be

16. MAINTENANCE

replaced. Always fill the reservoir as indicated whenever the cover is loosened or removed to insure proper diaphragm operation. Use DOT 4 brake fluid.

- Check brake system for fluid leaks.
- Check brake for excessive travel or spongy feel.
- Check friction pads for wear, damage and looseness.
- Check integrity and surface condition of the brake disc.
- Pads should be changed when friction material is worn to 1 mm (A).

Recommended brake fluid: **MAXIMA BRAKE FLUID DOT 4.**

Rear Brake

The rear brake is a hydraulic disc type brake which is activated by the same pedal which activates the front brake system is self adjusting and requires no maintenance other than periodic checks of the pads for wear

- Pads should be changed when the friction material is worn to 1 mm.
- Inspect the brake disc and pad wear surface for excessive wear.

Recommended brake fluid: **MAXIMA BRAKE FLUID DOT 4.**

Auxiliary Brake System

Your ATV's auxiliary brake system is intended to be used as a backup for the main brake system. Should the main system fail, the rear brake can be activated by the brake lever being moving toward the handlebar. The hydraulic brake system will not require adjustment.

NOTE: Since this is a rear brake only, it will not be as effective as the all wheel brake system.

16. MAINTENANCE

Checking the parking brake

Although the parking brake has been adjusted at the factory, the brake should be checked for proper operation. The mechanical brake must be maintained to be fully functional.

1. With the engine off, apply the parking brake and try to move the ATV.
2. If the rear wheels are locked, parking brake is adjusted properly.
3. If the wheels are not locked, parking brake must be adjusted.

Adjusting the parking brake

To adjust (set up) the mechanical parking brake, follow this procedure:

Note: The adjusting on the caliper is for the wear out of the pads.

1. With the engine off, loosen the adjuster on the lever.
2. Loosen the jam nut of the adjuster on the caliper.
3. Turn the adjuster (bolt) CW (clockwise) by hand till the pad touch the brake disc, turn the adjuster bolt CCW (counterclockwise) by 1/4 to one turn for 10 to 20 mm free play at the end of the parking brake lever.
4. Tighten the jam nuts securely against the adjusters.
5. Make sure the rear wheels turns freely without dragging.
6. Turn the adjuster (the one on the lever) and apply the lever. While adjusting, it is important you apply the lever back and forth for operation, free play and the locking of the parking position.
7. Make sure the rear wheels turn freely without dragging, and that parking brake works properly.

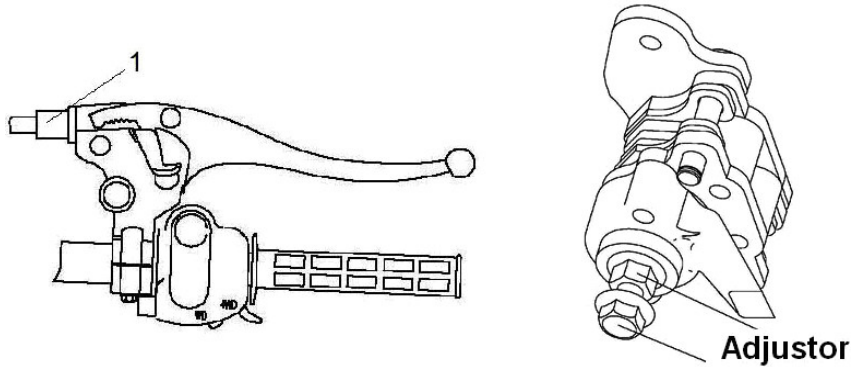
CAUTION: Don't over tighten the adjuster. Free play on the lever: 20 mm.

8. Test parking brake. Parking brake must be capable of holding the laden ATV on an 18% up and down slope.

16. MAINTENANCE

The temporary adjusting can be done to the brake cable on the parking lever side by turn the adjuster (nut) directly, but the adjust range is limited.

Always perform **steps 1 - 8** if necessary.



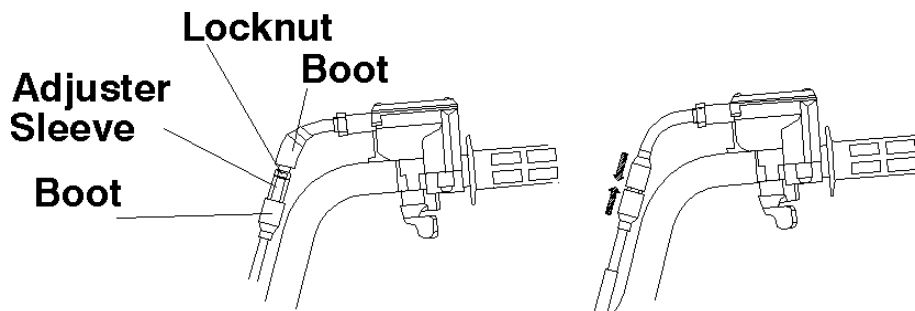
Throttle Cable Free Play Adjustment

Throttle cable free play is adjusted at the handlebar.

1. Side the bolts off inline cable adjuster, loosen adjuster locknut.
2. Turn adjuster until 2-3 mm free play is achieved at thumb lever.

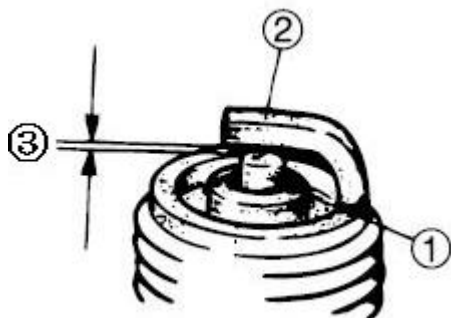
NOTE: While adjusting free play, it is important you flip the throttle lever back and forth.

3. Tighten locknut and sleeve boots over throttle cable adjuster.



16. MAINTENANCE

Spark Plug



Standard spark plug:

DPR8EA-9 (NGK)

③ Gap: 0.8-0.9 mm

Inspect:

- Insulator ①
Abnormal color: replace.
Normal color is a medium-to-light tan color.
- Electrode ②
Wear/damage: Replace. Clean:
- Spark plug
(with spark plug cleaner or wire brush)

Measure:

- Spark plug gap ③
Out of specification: Adjust gap.

Spark Plug Removal and Replacement



WARNING

Never attempt to remove a spark plug while the engine is warm. The exhaust system or engine could burn you, causing severe injury.

Remove the spark plug by rotating counterclockwise.

Reverse the procedure for spark plug installation. Torque to 23 Nm.

Engine Oil and Oil Filter Change

Recommended oil change interval is 30 hours or 1000 km, whichever comes first. Break-in oil change is at 20 hours or 300 km, whichever comes first. Severe use operation requires more frequent service. Severe use includes continuous riding in dusty or wet conditions, and cold weather riding.

NOTE: Severe use cold weather riding is all riding below -12°C , and between -12°C and 0°C if most rides are in slow speeds or less than 8 km/h. Be sure to change oil filter whenever changing oil.

Engine Oil and Oil Filter Change

Have the engine oil and oil filter changed at an authorized Linhai service.

16. MAINTENANCE

Engine Oil Level Check



CAUTION

Oil may be hot. Do not allow hot oil to come into contact with skin as severe burns may result!

1. Place the vehicle on a level surface;
2. Run engine two or three minutes until warm. Stop engine.
3. Pull the oil dipstick out and wipe it clean.
4. Reinsert oil dipstick completely and check the oil level. Do not screw it in.

Note:

Oil level should be between the upper and lower mark on the dipstick. Oil below the lower mark means the oil is too low and should be added, oil above the upper level mark means there is too much oil in the engine.

5. Reinstall the oil dipstick.

Recommended engine oil:

All-season synthetic engine oil **MAXIMA ATV PREMIUM 4T 10W40**.

Rear Gearcase Oil Check



CAUTION

Be sure no foreign material enters the gear case (final drive).

With the ATV on a level surface, remove fill plug and visually inspect the oil level through the fill hole. Oil should be kept even with the center of the drill point approximately below the top of the fill hole.

NOTE: Do not add oil to the bottom of the fill plug threads. The correct gearcase oil to use is SAE GL-5 80W/90.

Recommended rear gearcase (final drive) oil:

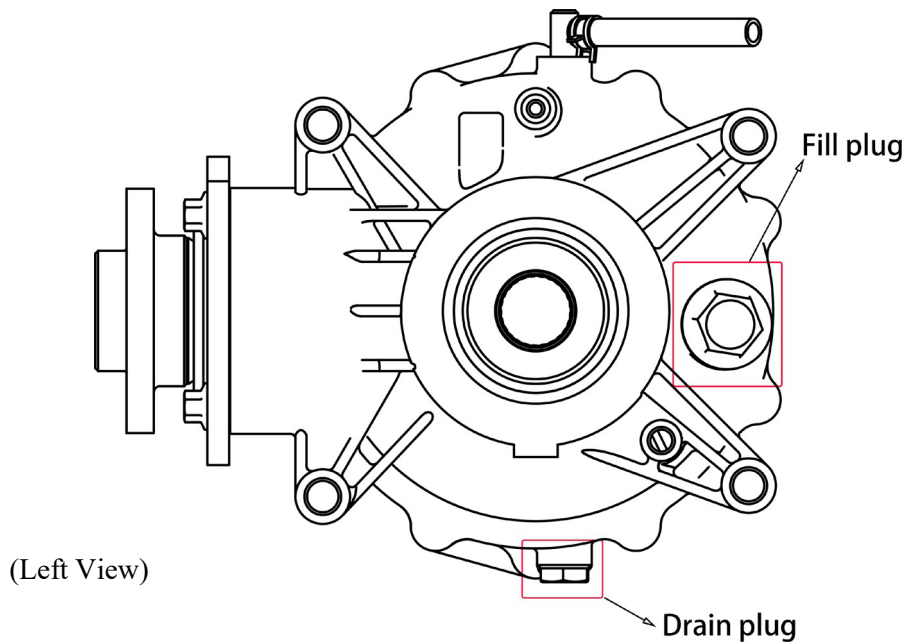
MAXIMA HYPOID GEAR LUBE PREMIUM 80W90 GL5

Rear Gearcase Oil Change

Have the rear case (final drive) oil changed by an authorized Linhai service according to the intervals specified in the Maintenance chart.

16. MAINTENANCE

Rear Gearcase Oil Check Procedure



1. Remove the fill plug and inspect oil level.
2. Oil level should be kept even with the center of the drill point (approximately below the top of the fill hole).
3. If needed, add SAE GL-5 80W/90 Gear Oil and check the oil level.
4. Reinstall the fill plug. Tighten securely (35 Nm).
5. Check for leaks.

Front Differential Oil Level Check



CAUTION

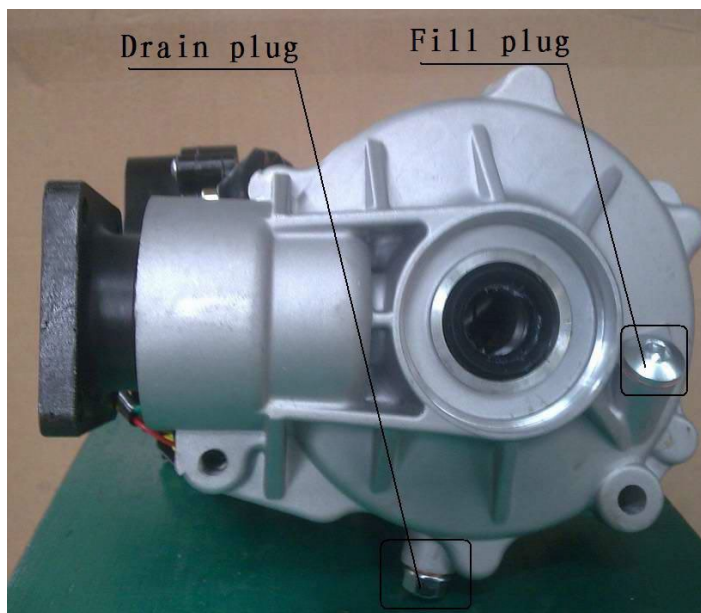
Be sure no foreign material enters the gearcase.

With the ATV on a level surface, remove fill plug and visually inspect the oil level through the fill hole. Oil should be kept even with the center of the drill point approximately below the top of the fill hole.

NOTE: Do not add oil to the bottom of the fill plug threads. The correct gearcase oil to use is SAE GL-5 80W/90 Gear Lube.

16. MAINTENANCE

Front Differential Oil Check Procedure



(Left View)

1. Remove the fill plug and inspect oil level.
2. Oil level should be kept even with the center of the drill point (approximately below the top of the fill hole).
3. If needed, add SAE GL-5 80W/90 Gear Oil and inspect oil level.
4. Reinstall the fill plug. Tighten securely (35 Nm).
5. Check for leaks.

Front Differential Oil Change

Have the Front Differential oil changed by an authorized Linhai service according to the intervals specified in the Maintenance chart.

Recommended Front Differential oil:

MAXIMA HYPOID GEAR LUBE PREMIUM 80W90 GL5

16. MAINTENANCE

Wheels and Tires



WARNING

Operating your ATV with worn, improperly inflated, non-standard or improperly installed tires will affect vehicle handling which could cause an accident resulting in serious injury or death. Follow the safeguards listed below to prevent this type of situation.

Important Safeguards

Maintain proper tire pressure according to charts below. Improper tire pressure may affect ATV maneuverability.

Do not use improper tires. The use of non-standard size or type tires may affect ATV handling.

Make certain the wheels are installed properly. If wheels are improperly installed it could affect vehicle handling and tire wear.

Wheel Removal

1. Stop the engine, place the transmission in gear and lock the parking brake.
2. Loosen the wheel nuts slightly.
3. Elevate the side of the ATV by placing a suitable stand under the footrest frame.
4. Remove the wheel nuts and remove the wheel.

Tire Pressure	
Front	Rear
48 kPa	48 kPa

16. MAINTENANCE

Wheel Installation

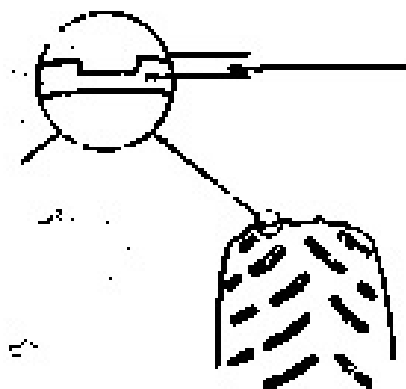
1. With the transmission in gear and the parking brake locked, place the wheel in the correct position on the wheel hub. Be sure the tire valve stem is toward the outside, and that the rotation arrows on the tire are pointing in direction of rotation.
2. Attach the wheel nuts and finger tighten them.
3. Lower the vehicle to the ground.
4. Securely tighten the wheel nuts according to the chart in chapter "**16. MAINTENANCE/Wheel Nut Torque**".

Tire Inspection

When replacing a tire always use original equipment size and type.

Tire Tread Depth

Always replace tires when tread depth is worn to 3 mm or less. Please refer to your Owner's Manual for tire specifications.



16. MAINTENANCE

Lights



WARNING

If the vehicle stopped for a long time, turn off the headlights.

Headlight / DRL Light (LED) replacement

Headlight / DRL Light is sealed LED type. If the headlight or DRL light become inoperable, the entire assembly must be replaced by Linhai authorized dealer.

Have your dealer replace the entire assembly if headlight or any of LED segments is damaged or has failed.

Front Turn Signal Indicator Light (LED) replacement

This ATV is equipped with LED front turn signal lights. If any front indicator light becomes inoperable, the entire light must be replaced by Linhai authorized dealer. Have your dealer replace the entire light if front turn signal light or any of its segments is damaged or has failed.

Taillight / Brake Light / Rear Turn Signal Indicator Light (LED) replacement

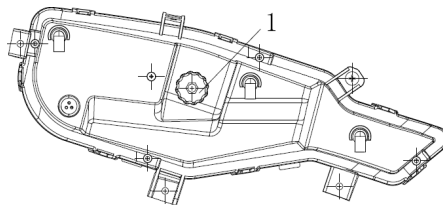
This ATV is equipped with LED Tail- / Brake- / Rear Indicators lights. If any of the lights become inoperable, the entire light must be replaced as a unit by Linhai authorized dealer. Have your dealer replace the entire light if taillights / brake lights / rear turn signal indicator lights or any of its LED segments is damaged or has failed.

16. MAINTENANCE

High beam Headlight Adjustment

The headlight High beam can be adjusted up and down.

1. Place the vehicle on a level surface with the headlights approximately 3 meters from a wall.
 2. Measure the distance from the floor to the center of the headlight and make a mark on the wall at the same height.
 3. Start the engine and turn the headlights switch to high beam.
 4. Observe headlight aim. The most intense part of the headlight beam should be aimed 71 mm below the mark placed on the wall in step 2.
- NOTE:** Riding weight must be included on the seat.
5. Turn the two adjusting bolts ① clockwise to raise the beam. Turn the two adjusting bolts ① counterclockwise is to lower the beam.



Cleaning Your ATV

Keeping your ATV clean will extend the life of various components.

Washing

Never use a high pressure type car wash system, it can damage to the wheel bearings, transmission seals, body panels, brakes and warning labels, and water might enter the engine or exhaust system.

The best and safest way to clean your ATV is with a garden hose, mild soap and water. Use professional grade automotive cleaners, clean the upper body first and lower parts last. Rinse with water frequently and dry with a chamois to prevent water spots.

NOTE: If warning labels are damaged, contact your dealer for replacement.

16. MAINTENANCE



WARNING

Your ATV can be waxed with any non-abrasive automotive wax. Avoid the use of harsh cleaners as they can scratch the body finish.



CAUTION

Certain products, including insect repellants and other chemicals, will damage plastic surfaces. Care must be taken when using these products on plastic surfaces.

Storage Tips



CAUTION

Do not start the engine during the storage period. This will damage the protective film created by fogging.

Cleaning—Clean the ATV thoroughly.

Oil Add and Filter Change—Warm the engine and change oil and filter.

Air Filter/Air Box—Inspect and clean or replace the pre-cleaner and air filter. Clean the air box and drain the sediment tube.

Inspect All Fluid Levels—Inspect the following fluid levels and change if necessary: transmission; brake fluid (change every two years or as required if fluid looks dark or contaminated).

Fog the engine - Spray light oil into the cylinder through the spark plug hole.

Check, Grease and Lubricate Cables — Inspect and lubricate all cables.

Battery Maintenance—Remove the battery and charge it fully. Apply Dielectric Grease to the terminal bolts and terminals. For battery charging use Shark CN-4000 or CI-4000 automatic charger.

Storage Area/Covers—Set tire pressure and safely support the ATV with the tires 25-50 mm off the ground. Be sure the storage area is well ventilated. Cover the machine with a ATV cover.

NOTE: Do not use plastic or coated covers. They do not allow enough ventilation to prevent condensation, and may promote corrosion and oxidation.

16. MAINTENANCE

Transporting your ATV

Whenever the ATV is to be transported the following measures should be taken:

1. Turn off the engine and remove the key.
2. Be certain the fuel cap, oil cap, and seat are installed correctly.
3. Always tie the frame of the ATV to the transporting until securely using quality straps or rope.
4. Always place the transmission in gear and lock the parking brake.

17. TROUBLESHOOTING

Drive Belt Wear/Burn

Possible Causes	Solution
Loading the ATV into a pickup or tall trailer when in High range (H).	Shift transmission to Low range (L) during loading of the ATV to prevent belt burning
Starting out going up a steep incline	When starting out on an incline, use low range, or dismount the ATV after first applying the park brake and perform the "K" turn as described in this manual.
Riding at low RPM or low speed (at approximately 5-12 km/h)	Drive at higher speed or use low range. The use of low range is highly recommended for cooler CVT operating temperatures and longer component life.
Insufficient warm-up of ATV's exposed to low ambient temperatures.	Warm engine at least 5 min., then with transmission in neutral, advance throttle to approx. 1/8throttle in short bursts, 5 to 7 times. The belt will become more flexible and prevent belt burning.
Slow and easy clutch engagement.	Fast, effective use of the throttle for efficient engagement.
Towing /Pushing at low RPM/low ground speed.	Use Low Range only.
Stuck in mud or snow.	Shift the transmission to Low Range carefully use fast, aggressive throttle application to engage clutch. WARNING: Excessive throttle may cause loss of control and vehicle overturn.
Climbing over large objects from a stopped position.	Shift the transmission to Low Range carefully use fast, brief, aggressive throttle application to engage clutch. WARNING: Excessive throttle may cause loss of control and vehicle overturn.

17. TROUBLESHOOTING

Battery problems

Possible Cause	Solution
Starting a faulty engine for long time	See "8.STARTING THE ENGINE" And check the fuel/ air/ ignition/ compression system
Letting the main switch (key) On while parking the ATV	When stopping the engine, turn off the main switch (key) Off.



WARNING

This ATV is equipped with EFI system. If the battery voltage is under 12V, engine will not start.

17. TROUBLESHOOTING

NOTE:

The following troubleshooting does not cover all the possible causes of trouble. It should be helpful, however, as a guide to troubleshooting. Refer to the relative procedure in this manual for inspection, adjustment and replacement of parts. Adjustment and replacement must be done by your dealer.

STARTING FAILURE/ HARD STARTING

FUEL SYSTEM

Fuel tank

- Empty
- Clogged fuel tank breather pipe
- Deteriorated fuel or fuel containing water or foreign material
- Fuel filter clogged
- Fuel pressure not correct

Throttle body

- The connect not good

Air cleaner

- Clogged air cleaner element
- Improper air cleaner setting

COMPRESSION

Cylinder and cylinder head

- Loose spark plug
- Loose cylinder head
- Broken cylinder head gasket
- Broken cylinder gasket
- Worn, damaged or seized cylinder

Valve system

- Improper valve clearance
- Improperly sealed valve
- Improper contact between valve and valve seat

Piston and Piston ring

- Worn piston
- Worn fatigued or broken piston ring
- Seized piston ring
- Seized or damaged piston

- Improper valve timing
- Broken valve spring

- Seized valve

17. TROUBLESHOOTING

IGNITION SYSTEM

Battery

- Improperly charged battery
- Faulty battery

Fuse

- Burnt out, improper connection

Spark plug

- Improper plug gap
- Worn electrodes
- Wire between terminals broken
- Improper heat range
- Faulty spark plug cap

Ignition coil

- Broken or shorted primary/
secondary coil
- Faulty high tension cord
- Broken ignition coil body

Ignition system

- Faulty ignition unit
- Faulty pick up coil
- Broken magneto woodruff key

Switch

- Faulty main switch
- Faulty "ENGINE STOP"
switch
- Faulty brake switch

Wiring

- Loose battery terminal
- Loose coupler connection
- Improperly grounded
- Broken wire harness

POOR IDLE SPEED PERFORMANCE

Air cleaner

- Clogged air cleaner element

Ignition system

- Faulty spark plug
- Faulty high tension cord
- Faulty igniter unit
- Faulty pick up coil
- Faulty ignition coil

Valve system

- Improperly adjusted
- valve clearance

17. TROUBLESHOOTING

EFI SYSTEM

- Fuel pressure not correct
- Fuel filter clogged
- Fuel injector clogged

POOR MEDIUM AND HIGH SPEED PERFORMANCE

Air cleaner

- Clogged air cleaner element

EFI SYSTEM

- Fuel pressure not correct
- Fuel filter clogged
- Fuel injector clogged

POOR SPEED PERFORMANCE

Ignition system

- Dirty spark plug
- Improper heat range
- Faulty igniter unit
- Faulty pick up coil

Fuel system

- Clogged fuel tank breather hole
- Clogged air cleaner element
- fuel filter clogged
- fuel pressure not correct

Compression system

- Worn cylinder
- Worn or seized piston ring
- Cylinder head gasket broken
- Cylinder gasket broken
- Carbon deposit buildup
- Improper adjusted valve clearance
- Improper contacted valve and valve seat
- Faulty valve timing

Clutch

- Refer to "CLUTCH SLIPPING /DRAGGING" section

17. TROUBLESHOOTING

Engine oil

- Improper oil level (low or excessive oil level)

Ignition system

- Faulty spark plug
- Faulty high tension cord
- Faulty ignition unit
- Faulty pick up coil
- Faulty ignition coil

Valve system

- Improper valve clearance

OVERHEATING OR OVERCOOLING

OVERHEATING

Ignition system

- Improperly spark plug gap
- Improper spark plug heat range
- Faulty igniter unit

OVERCOOLING

Cooling system

- Faulty thermostat
- Faulty thermo switch

Compression

- Heavy carbon deposit build-up
- Improperly adjusted valve timing
- Improperly adjusted valve clearance

Engine oil

- Incorrect engine oil level
- Improper engine oil quality (High viscosity)
- Low engine oil quality

17. TROUBLESHOOTING

Brakes

- Dragging brake

Cooling system

- Inoperative fan motor
- Faulty thermostat
- Faulty thermo switch
- Incorrect coolant level (low coolant level)
- Faulty radiator (Clogged, damaged)
- Faulty radiator cap
- Impeller shaft gear malfunction (bent dowel pin, gear)
- Damaged impeller shaft
- Disconnected fan motor connector

FAULTY CLUTCH

WHEN ENGINE RUNS, ATV DOES NOT RUN

V-belt

- Worn/bent/slipping

Cam, slider

- Worn/damaged

Compression spring

- Damage

Gears

- Damage

CLUTCH SLIPPING

Clutch weight spring

- Worn/loose

POOR SPEED PERFORMANCE

V-belt

- Worn
- Oiled V-belt

Roller weight

- Worn/improper operation
primary/secondary/sheave

- Worn

CVT SYSTEM

Incorrect primary clutch position

- Incorrect engine mount

17. TROUBLESHOOTING

Clutch shoe

(see chapter 13. CVT system)

- Worn/ damaged

Primary sliding sheave

- Seized

POOR STARTING

FAULTY BRAKE

PERFORMANCE

POOR BRAKING

V-belt

- Slipping/oily V-belt

- Worn front hub bearing

Primary sliding sheave

- Worn brake pad

- Improper operation

- Worn brake disc

- Damage

- Air bubbles in brake fluid

- Leaking brake fluid

Compression spring

- Worn/loose

- Faulty master cylinder kit

Secondary sliding sheave

- Faulty caliper seal kit

- Improper operation

- Loose union bolt

- Worn guide pin groove

- Broken brake hose

- Worn guide pin

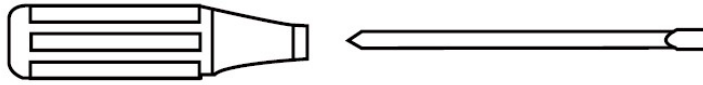
- Oily or greasy brake pad

Clutch shoe

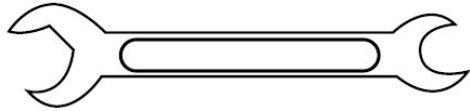
- Oily or greasy brake disc

- Worn/ bent

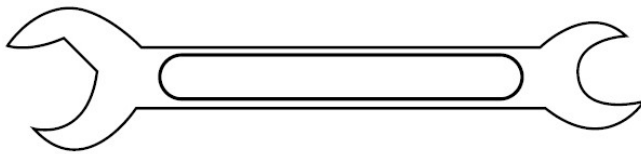
18. TOOLS



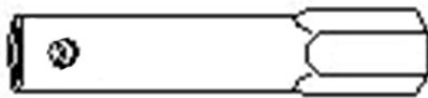
Screw Driver



Wrench(8,10mm)



Wrench(12,14mm)



Spark Plug Wrench

19. SPECIFICATIONS

Model	Linhai 650L ProMax (T3b)	
Fuel capacity	20 L	
Engine Oil Capacity	2.2 L	
Ground Clearance	270 mm	
Height	1330 mm	
Length	2395 mm	
Width	1305 mm	
Seat height	940 mm	
Wheelbase	1470 mm	
Turn diameter	7000 mm	
Dry Weight	395 kg	
Front Rack	10 kg	
Rear Rack	20 kg	
Load Capacity (combined Rider& Payload)	170 kg	
Tongue Weight	10 kg	
Tow Capacity	208 kg	
Drive System		
Drive System	CVT	
Tire Pressure	Front	48 kPa
	Rear	48 kPa
Brake System		
Service Brake	Front Brake	Hydraulic Disc
	Rear Brake	
Parking Brake	All Wheel	Hydraulic Lock
Auxiliary Brake	Rear Brake	Hydraulic Disc

19. SPECIFICATIONS

Engine	
Engine Type	LH191MS-B 4 Stroke, Single Cylinder, SOHC
Bore x Stroke	91 x 90 mm
Displacement	585.3 ccm
Starter System	Electric Starter
Engine Cooling	Liquid-Cooled
Lubrication System	Wet Sump
Ignitions	ECU
Spark Plug Type	DPR8EA-9 (NGK)

Electrical Equipment	
Battery	12V 30Ah
Head light	7.8W / 7.2W / 2.4W
Brake/ Tail Light	12V 10W/5W LED
Front Flasher Light	12V 21W
Rear Flasher Light	12V 5W LED
Rear license plate Light	12V 5W LED

Tire		
Model	Front Tire	Rear Tire
1	AT25x8.00-12 43J	AT25x10-12 50J
2	25x8-12 65J	25x10-12 70J
3	25x8.00-12 65J	25x10.00-12 70J
4	25x8-12 69J	25x10-12 75J

19. SPECIFICATIONS



DISTRIBUTED BY:

**ASP Group Distributing
Staroplzenecka 290
326 00 Letkov
Czech Republic**

+420 378 21 21 21

info@aspgroup.cz

www.aspgroup.eu

ASP Group Distributing / Jiangsu Linhai Power Machinery Group Co., Ltd. reserve the right to make any technical changes to the construction and design without prior notice. If in doubt, please contact your dealer or ASP Group Distributing directly.

© Copyright ASP Group Distributing 2023

All information contained within this publication is based on the latest product information at the time of publication. Due to constant improvements in the design and quality, some depictions, information and specifications may differ from those presented in this publication. Depictions and/or procedures in this publication are intended for reference use only. No liability can be accepted for omissions or inaccuracies. Any reprinting or reuse of the depictions and/or procedures contained within, whether whole or in part, is expressly prohibited.