

Introduction

► Feature

- Line pull: 1,814 kg / 4,000 lb wire rope first layer
- Wire rope: 5.5 mm x 15.2 m (7/32" x 50') galvanized aircraft A7 x 19
- Brake: Mechanical and dynamic brake for 100% braking
- Clutch: Turn the shifter for rapid wire rope payout
- Control: Handlebar rocker switch powers the winch

► Unpacking

- Winch assembly..... 1 pc
- Handlebar rocker switch kit..... 1 pc
- 4 way roller fairlead..... 1 pc
- Wire rope with safety hook..... 1 pc
- Contactor pack 1 pc

► Read this manual carefully

You should carefully read and understand this manual before operating it. Careless winch operation may result in personal injury hazards or property damage.

► Information requesting or parts ordering

Please specify the followings information:

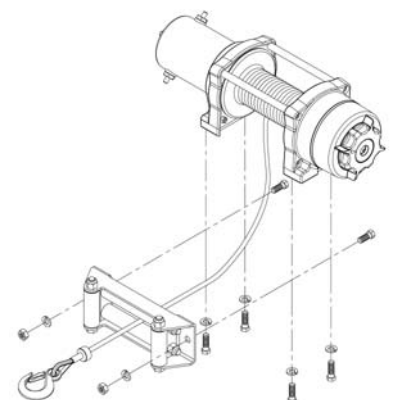
- Winch PN
- Serial number
- Part description
- Replacement part number
- Quantity for each part

Installation

Before using the winch, make sure all electrical components have no corrosion or damaged; the environment should be clear and dry.

► Wire rope replacement

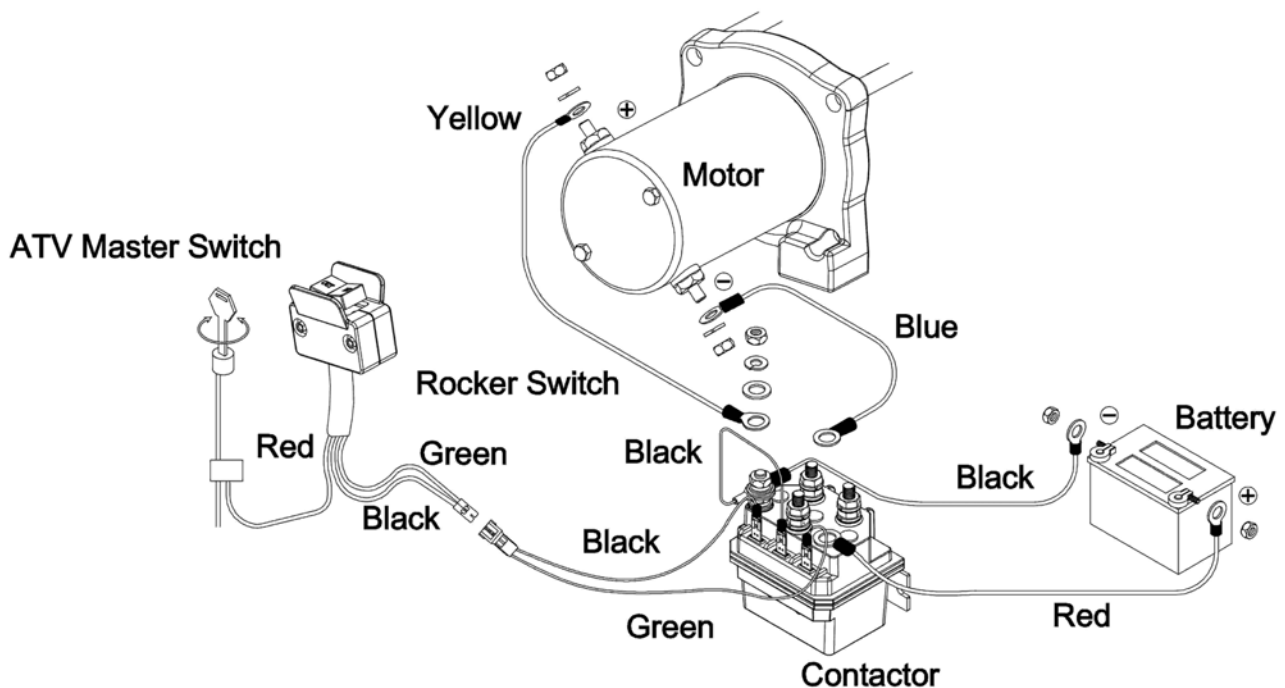
- It is very important that the winch will be mounted on a flat and hard surface of mounting channel in order



- to make sure the motor, drum and gearbox housing are aligned correctly.
- Roller fairlead does not mount to winch directly.
- The wire rope shall be wound in an under-wound orientation only.
- Four (4) M8 x 25L 8.8 grade high tensile steel bolts must be used in order to sustain the loads imposed on the winch mounting.
- Two (2) M8 x 20L 8.8 grade high tensile steel bolts must be used for fastening the roller fairlead into the mounting channel.

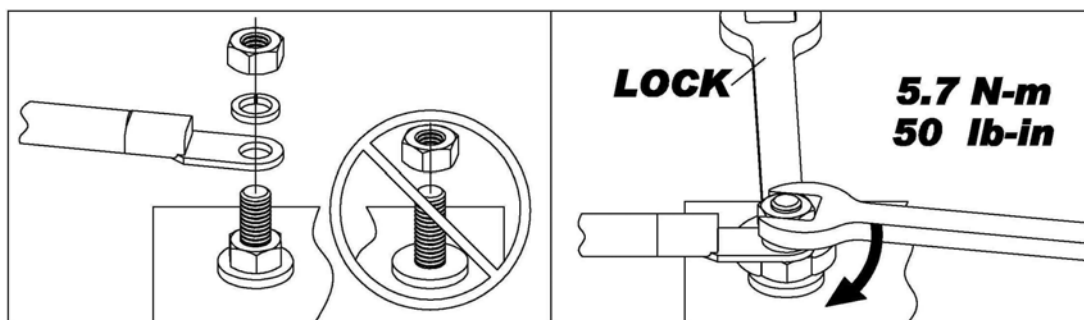
► Wiring Diagram

Attach the black lead firmly to the negative (-) battery terminal and red lead to the positive (+) battery terminal. The voltage drop for the winch motor must not exceed 10% of the nominal voltage of 12V DC.



► Nut fastening for motor & contactor

1. Holding the lower nut on the stub and fastening the upper nut clockwise.
2. The torque setting for nut is 5.7 N-m / 50 lb-in.

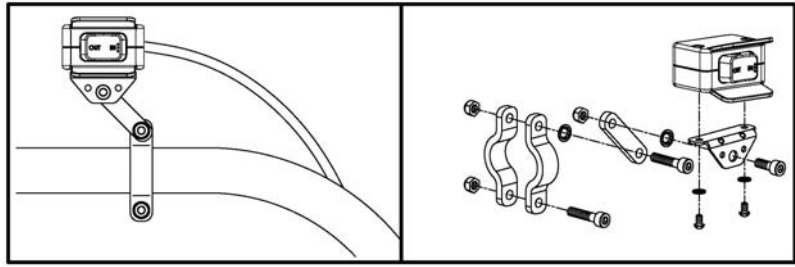


Warning

- The winch is not intended to be used in any manner for the movement or lifting of personnel.
- The pulling capacity shown is based on the first layer of rope on the drum.
- The rope winding on the drum shall remain 5 wraps from the drum.

Handlebar Rocker Switch Mounting

Handlebar mounted rocker switch can be operated without removing your hand from the grip.



Parts List

Item No.	Description	Part No.	Qty
1	Motor w/housing	881331	1
2	Motor couple kit	880988	1
3	Drum bushing	880990	2
4	Drum kit	881006	1
5	Tie bar kit	881007	1
6	Tie bar kit	881008	2
7	Gearbox support rack	880994	1
8	3 rd stage carrier	880995	1
9	2 nd stage carrier	880996	1
10	1 st stage carrier	881009	1
11	2 nd ring gear kit	880998	1
12	1 st shaft kit	881010	1
13	Gear box kit	881000	1
14	Clutch base	881011	1
15	Friction block	881012	1
16	Clutch lever kit	881013	1
17	Shifter kit	881001	1
18	Wire rope w/hook	881955	1
19	Roller fairlead	880132	1
20	Contactork pack	881037	1
20-1	Contactork w/leads	881385	1
20-2	Battery lead (+)	880234	1
20-3	Battery lead (-)	880235	1
20-4	Motor lead (yellow)	880236	1
20-5	Motor lead (blue)	880237	1
21	Handlebar rocker switch kit	881003	1
22	Mounting hardware	881005	1
23	Handlebar hardware	880242	1
24	Handsaver strap	880026	1
25	Cable tie	880243	1

Winch Assembly

