



1-888-571-9193
www.HeatDemon.com



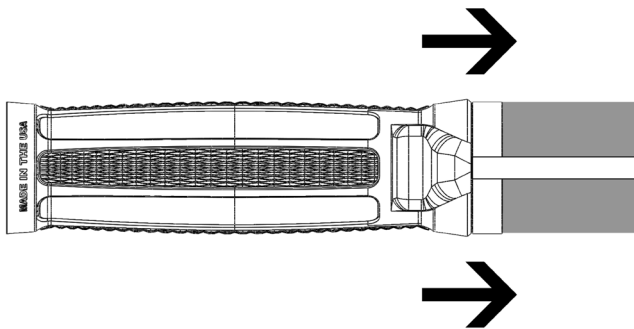
Instructions for Quad Zone ATV Clamp-On Heated Grip Kit Part Number: 215047

Item Required for Installation

- Allen Wrench (Included)

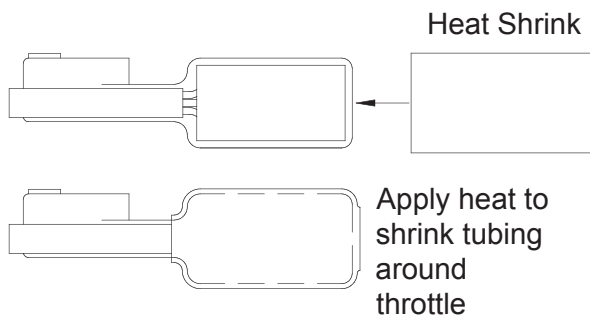
Grip Installation

Need installation help? Call us at 888-571-9193.



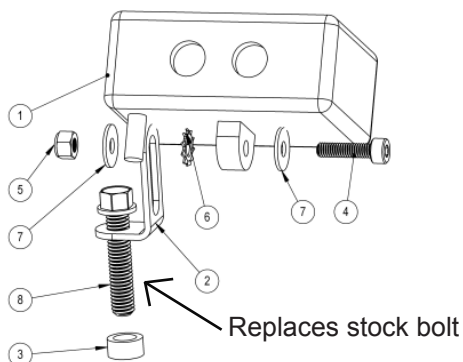
1. Remove current grips.
2. Clean off all dirt and residue from each end of the handlebar.
3. Loosen the bolt on each grip and slide onto the handlebar.
4. Position the grips with the wire exits facing towards the vehicle.
When on the handlebar, make sure the arrow on the grip is positioned above the wire exit, pointing to the front of the vehicle.
5. Tighten the bolt for each grip using the supplied Allen wrench, making sure the grips do not spin on each end of the handlebar.
Note: If the grips spin on the handlebar, remove each grip and scratch the surface of the handlebar with sandpaper. This creates a better exterior for the grips to adhere.

Thumbwarmer Installation



1. Peel the release paper from the thumbwarmer and adhere it to the front side of the throttle, facing the rider.
2. Slide the heat shrink tubing over the thumbwarmer and throttle.
Use a heat gun, or other heat source, to shrink the tubing. Be careful not to burn it.
3. Use one cable tie to secure the wires to the throttle. If using additional cables tie to secure the wires to the handlebar, be sure to provide a strain relief, so the throttle does not strain the wires when in the full open position.

Controller Installation



1. The L bracket (2) mounts with the included 6x30mm bolt (8) and spacer (3). Replace an existing stock 6mm bolt found on either the left or right side control housing of the machine with the included 6x30mm bolt (8).
2. Mount the controller (1) using the 4mm bolt (4), flat washers (7), lock washer (6) and nut (5).
3. Place the lock washer (6) between the controller (1) and the L bracket (2).
4. Rotate the controller (1) to allow the best view for the driver. Then tighten nut (5) with the screw (4) using the supplied Allen wrench.
5. Use cable ties to secure all wires at a common connection point.



1-888-571-9193
www.HeatDemon.com



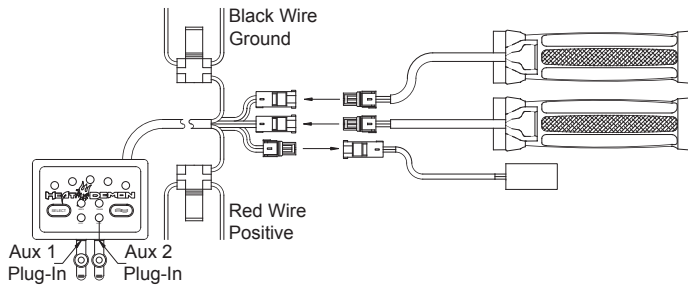
Instructions for Quad Zone ATV Clamp-On Heated Grip Kit Part Number: 215048

Item Required for Installation

- Allen Wrench (Included)

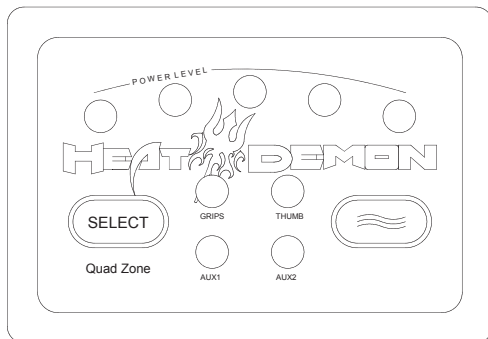
Electrical Connections

Need installation help? Call us at 888-571-9193.



1. Disconnect the battery leads, negative first.
2. Insert the 3 connectors from the grips and thumb warmer to the their corresponding connectors from the controller.
Note: *The grip connectors are interchangeable.*
3. Using one red tap connector, connect the red wire from the controller to a 12V keyed-power wire.
4. Using the second red tap connector, connect the black wire to a ground wire.
Note: *Do not ground the electrical system to the vehicle frame.*
5. Reconnect the battery leads. With the vehicle and controller on, you should start to feel heat in approximately 5-10 minutes.

Operating Instructions



1. Turn on the ignition and the LED above "GRIPS" will light up.
2. To select a heat level, use the (≈) button. Press the button 5 times for level 5, and once more to turn the grips off.
3. To switch between the four individual zones, use the (SELECT) button. The LED above "GRIPS" will turn off, and the LED above "THUMB" will turn on. You can then adjust the heat level by pressing the (≈) button. Repeat for "AUX1" and "AUX2".
4. Holding the (SELECT) button for 3 seconds will turn the controller off. Pressing either button will turn the controller back on.
5. Holding the (≈) button for 3 seconds when in a certain zone resets the heat level to zero.
6. Holding both (SELECT) and (≈) for 3 seconds dims the controller's LEDs. Repeat to return to full brightness.

Warranty & Damage

This Heat Demon product has a five (5) year limited warranty.

The warranty does not cover:

- Products worn by use;
- Tampering or misuse of the product, including operation outside of design specifications;
- Damages made to products installed incorrectly, including shorting or pinched wires;
- Damages caused by crashes or natural disasters.

Because Heat Demon does not have any control over the connection and use of the product, or any other related electronics, no liability will be assumed nor accepted for damage resulting from the use of the product. In no case shall liability exceed the product's original cost.



Steering Wheel



Seat Heaters



Grip Heaters



Visit www.HeatDemon.com for more Heat Demon products.