

MOUNTING INSTRUCTIONS

CHAINSAW HOLDER Universal

KimpeX # **073511**

Ref.	Description	Item no.	Qty
①	Slide	5400001-20	2
②	Slide support	2810017-2000	2
③	No.6 X 1/2" self-tapping screw	S3511-06504-002	10
④	Adapter	2810017-1000	1
⑤	1/4" nc X 3/4" carriage bolt	S2412-0C012-0A2	8
⑥	1/4" dia flat washer	S4612-00400-002	8
⑦	1/4 nc self-locking nut	S4186-10400-022	8
⑧	Grommet	293-7200-53	2
⑨	Support plate	2810017-3000	1
⑩	Reinforcement plate	2810017-4000	1
⑪	Support	81-187-3020	2
⑫	5/16" nc X 3/4" carriage bolt	S2412-0D012-002	4
⑬	5/16" nc self-locking nut	S4186-10500-022	4

ASSEMBLING :

- 1) (See sketch A).** Insert the (2) slides ① into the (2) slide supports ② and secure in place using (10) no.6 X 1/2" self-tapping screws ③.
- 2) (See sketch B).** Fasten the adapter ④ onto the (2) slide supports ② using (4) 1/4" nc X 3/4" carriage bolts ⑤, (4) 1/4" dia flat washers ⑥, and (4) 1/4" nc self-locking nuts ⑦ (screw the first threads only).
- 3) (See sketch B).** Insert the (2) grommets ⑧ into the support plate ⑨. Fasten the support plate ⑨ and the reinforcement plate ⑩ onto the (2) slide supports ② using (4) 1/4" nc X 3/4" carriage bolts ⑤, (4) 1/4" dia flat washers ⑥, and (4) 1/4" nc self-locking nuts ⑦ (screw the first threads only).
- 4) (See sketch C).** Fasten a support ⑪ onto the lower mounting holes of the adapter ④ using (2) 5/16" nc X 3/4" carriage bolts ⑫ and (2) 5/16" nc self-locking nuts ⑬ (screw the first threads only).
- 5) (See sketch C).** Position the chainsaw holder to the rear bumper and fasten the remaining support ⑪ onto the upper mounting holes of the adapter ④ using (2) 5/16" nc X 3/4" carriage bolts ⑫ and (2) 5/16" nc self-locking nuts ⑬. Secure the bolts and nuts from the supports ⑪.

ADJUSTMENT :

- 1) (See sketch D).** Insert the chainsaw into the chainsaw holder assembly. Adjust the distance between the slide supports ②. Make sure that the chainsaw slides easily. Secure all bolts and nuts.
- 2) (See sketch E).** To maintain the chainsaw in place, you can install a tie-down (not included) on the support plate ⑨.

2810017

KIMPEX INC. / 5355, rue St-Roch / Drummondville (Québec) Canada / J2B 6V4

KIMPEX USA / 100 Walnut Street / Champlain, New York / 12919

A-1011 (F-00) Rév. A

Lithographié au Canada / Litho'd in Canada



MOUNTING INSTRUCTIONS

CHAINSAW HOLDER
Universal

KimpeX # 073511

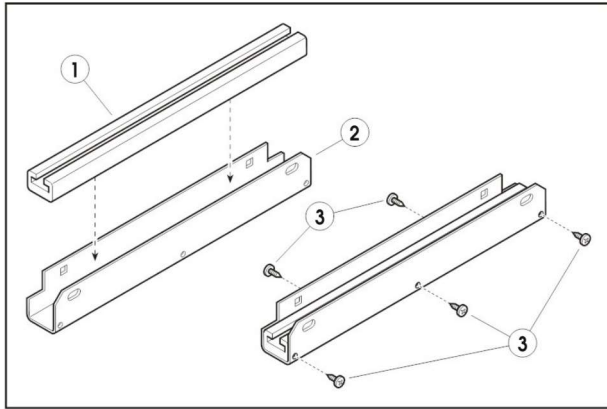


schéma / sketch A

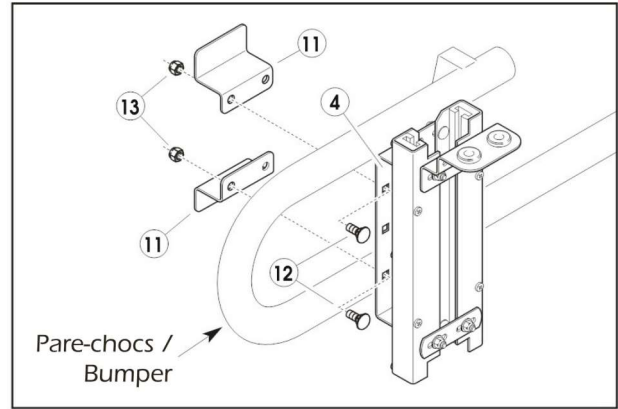


schéma / sketch C

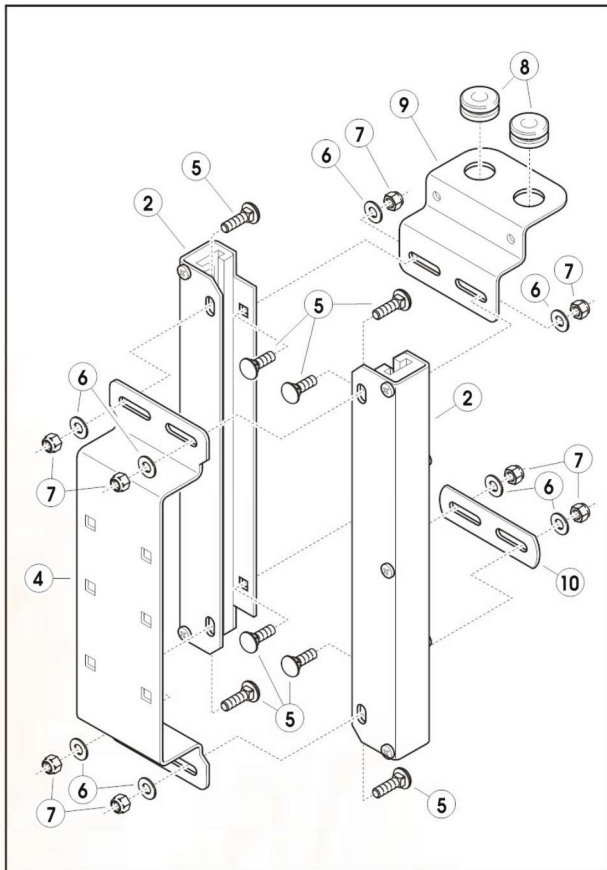


schéma / sketch B

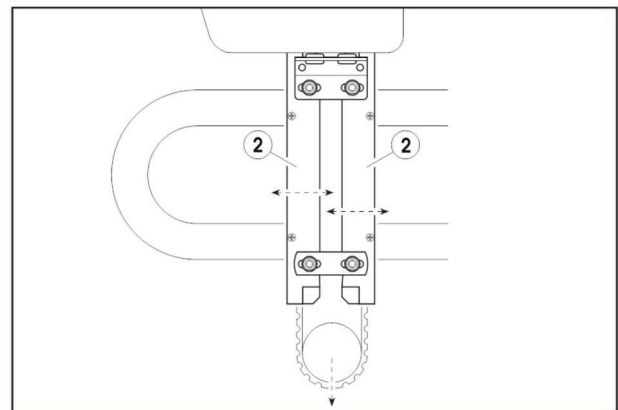


schéma / sketch D

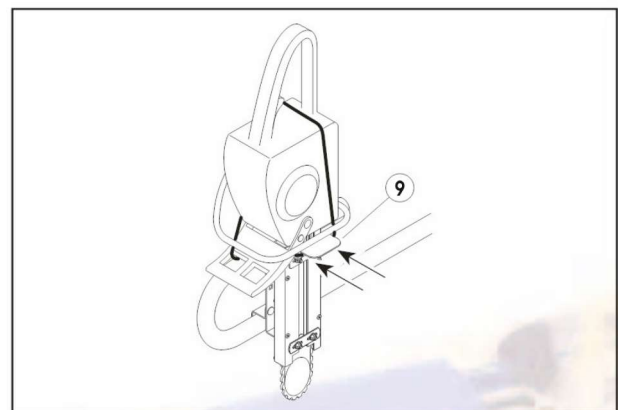


schéma / sketch E

KIMPEX INC. / 5355, rue St-Roch / Drummondville (Québec) Canada / J2B 6V4
KIMPEX USA / 100 Walnut Street / Champlain, New York / 12919
 Lithographié au Canada / Litho'd in Canada



2810017

A-1011 (F-00) Rév. A

